

ES700 Parts Catalog



Contents

Filters.....	1	Enclosure.....	15
Engine	3	Trailer	17
Carlin Burner	9	Firebox.....	20
Greenheck Fan.....	11	Electrical.....	21
Control Panel.....	13		

www.EquipmentSourceInc.com

Filters



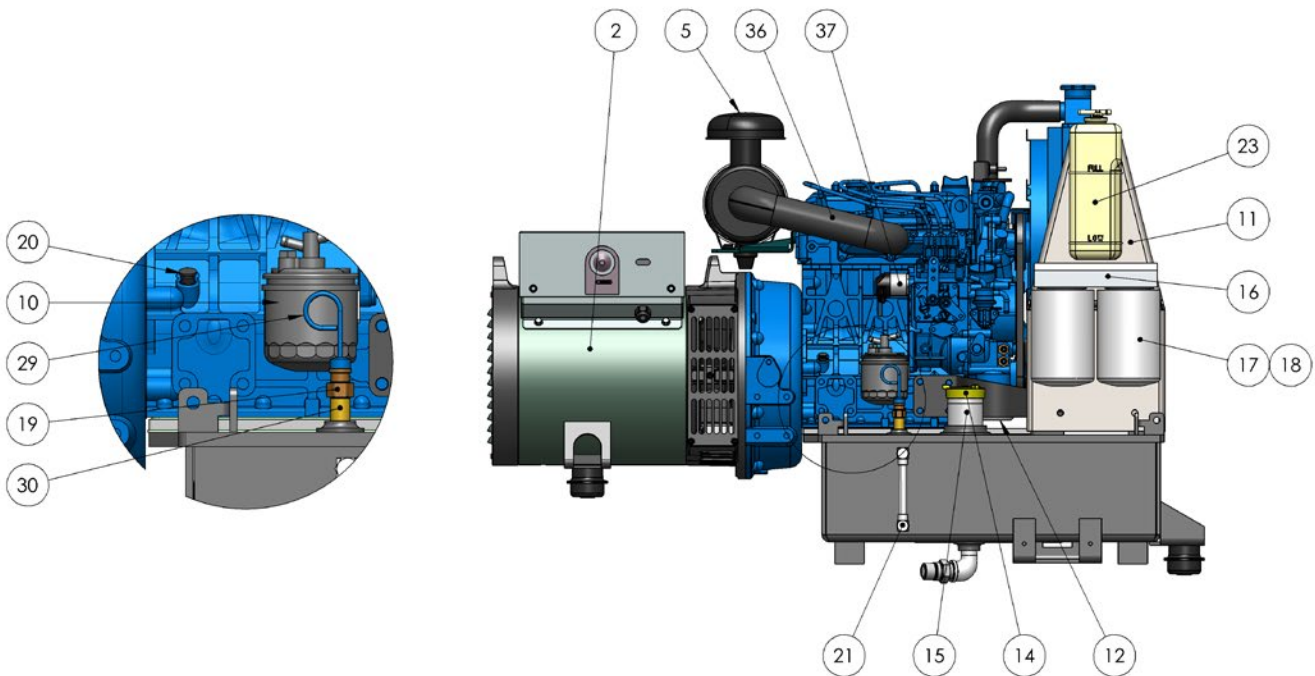
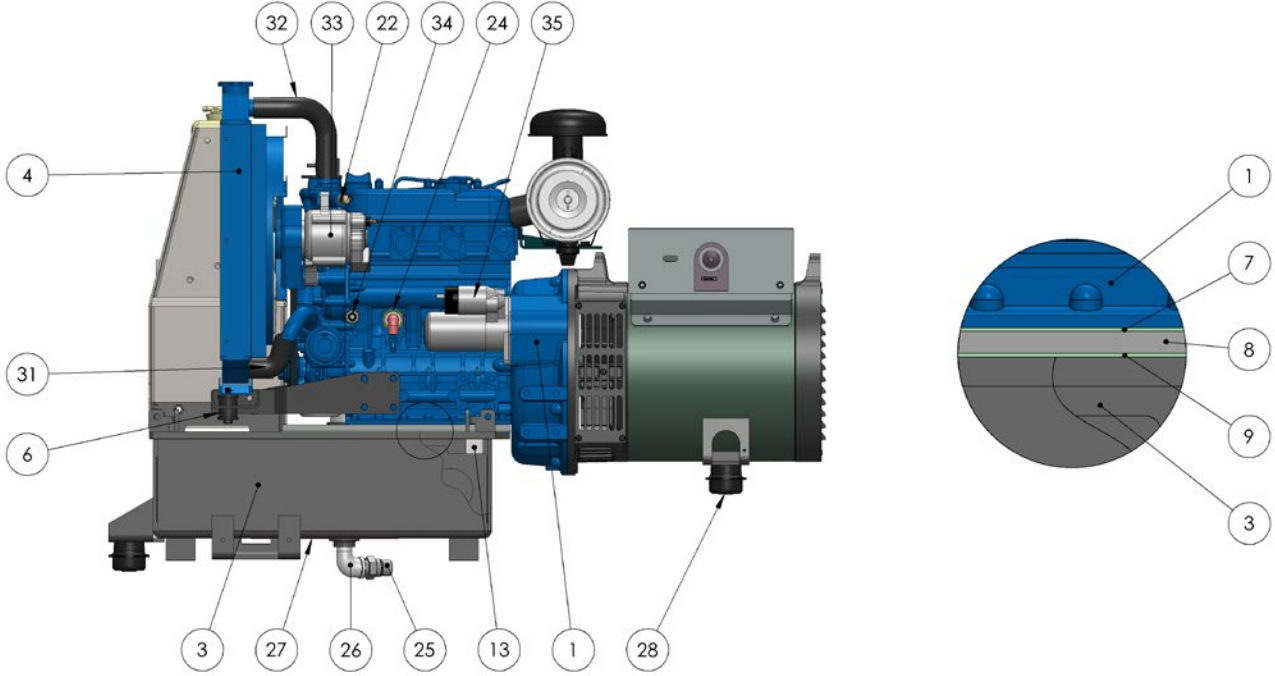
Item No.	Part No.	Description
1	ES1000 FILTER KIT	SERVICE KIT (see below for details)
2	16121-32430	LRT OIL
3	15741-11083	B54 A/C KIT
4	70000-43081	D08 FUEL
5	R60T	RACOR 660R

Service Kit

The service kit includes all filters listed above plus the following extras:

- Scott disposable shop rags
- Coco absorb
- Gojo hand wipes
- Disposable bag
- Pair of disposable gloves

Engine Assembly

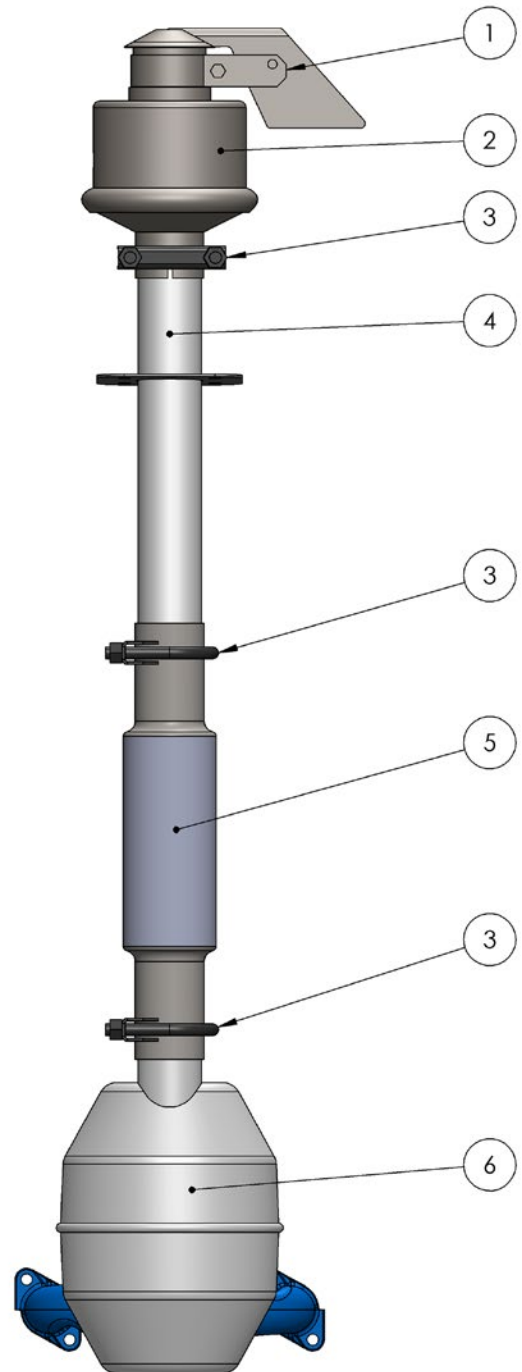


Item No.	Part No.	Description
1	900028	ENGINE, D1105-E4BG1-SAE-2
2	900263	GEN, MECC ALTE ECP28-S-MD35-SAE5-V6.5 (Details on pg. 5)
3	101758	PAN, OIL WELDMENT, LRT, '05 SER, 19 GAL
4	900097	RADIATOR, K05BGTRAD2
5	900654	AIR CLEANER KIT, B54
6	15111-72181 15111-72191	CUSHION, UPPER/LOWER RADIATOR (2 parts, sold as kit)
7	101561	GASKET, LRT PLATE TO ENGINE D SERIES
8	101774	PLATE, ADAPTER, OIL PAN, LRT, 3 CYL '05 SER
9	101552	GASKET, LRT D-SERIES TANK TO PLATE
10	900013	FUEL FILTER ASSY, D08 D09
11	101555	MOUNT, AUX OIL FILTER LRT
12	101798	CAP, OIL FILTER D-SERIES
13	101559	EXTENDER, OIL PICKUP D1105
14	900482	FUEL CAP, NON-VENTED 2"
15	900277-1624	NIPPLE, SCH 40 CARBON STEEL, 2 X 3"
16	101799	MOUNT, DUAL OIL FILTER
17	900142	OIL FILTER - KUBOTA 16121-32430
18	901043	FILTER NIPPLE, 3/4" X 16TPI
19	901091	ADAPTER, FITTING, BRASS, 3/8" F-NPT x 1/4" F-NPT
20	901089	PLUG, OIL GAUGE
21	901085	SIGHT TUBE, LIQUID LEVEL GAUGE
22	900080	SWITCH, THERMO, TEMPERATURE
23	900079	TANK, RECOVERY, ASSY
24	800085	ENGINE HEATER, 120V 7.5A"
25	800313	RECEIVER, CRANKCASE, 3/4" NPT MALE
26	800314	FITTING, STREET ELBOW 90°, 3/4" NPT, 150 PSI
27	901084	HEATER, PAD, TEMPCO 10" X 9" 450 WATT, 120V
28	900427-350	ISOLATER LF1.5, 350 LB AXIAL/230 LB RADIAL MAX LOAD
29	16259-36410	GAUGE, OIL
30	800297	NIPPLE, PIPE, BRASS, 3/8" NPT x 2" NPT
31	16286-72851	HOSE, LOWER, RADIATOR
32	16266-72941	HOSE, UPPER, RADIATOR
33	16231-64012	ALTERNATOR
34	15841-39010	SWITCH, OIL
35	6A320-59210	STARTER
36	16616-11620	HOSE, AIR CLEANER
37	17208-60016	SOLENOID, FUEL

Exhaust Configuration A

ES700 Serial Numbers from 120001 to 140270

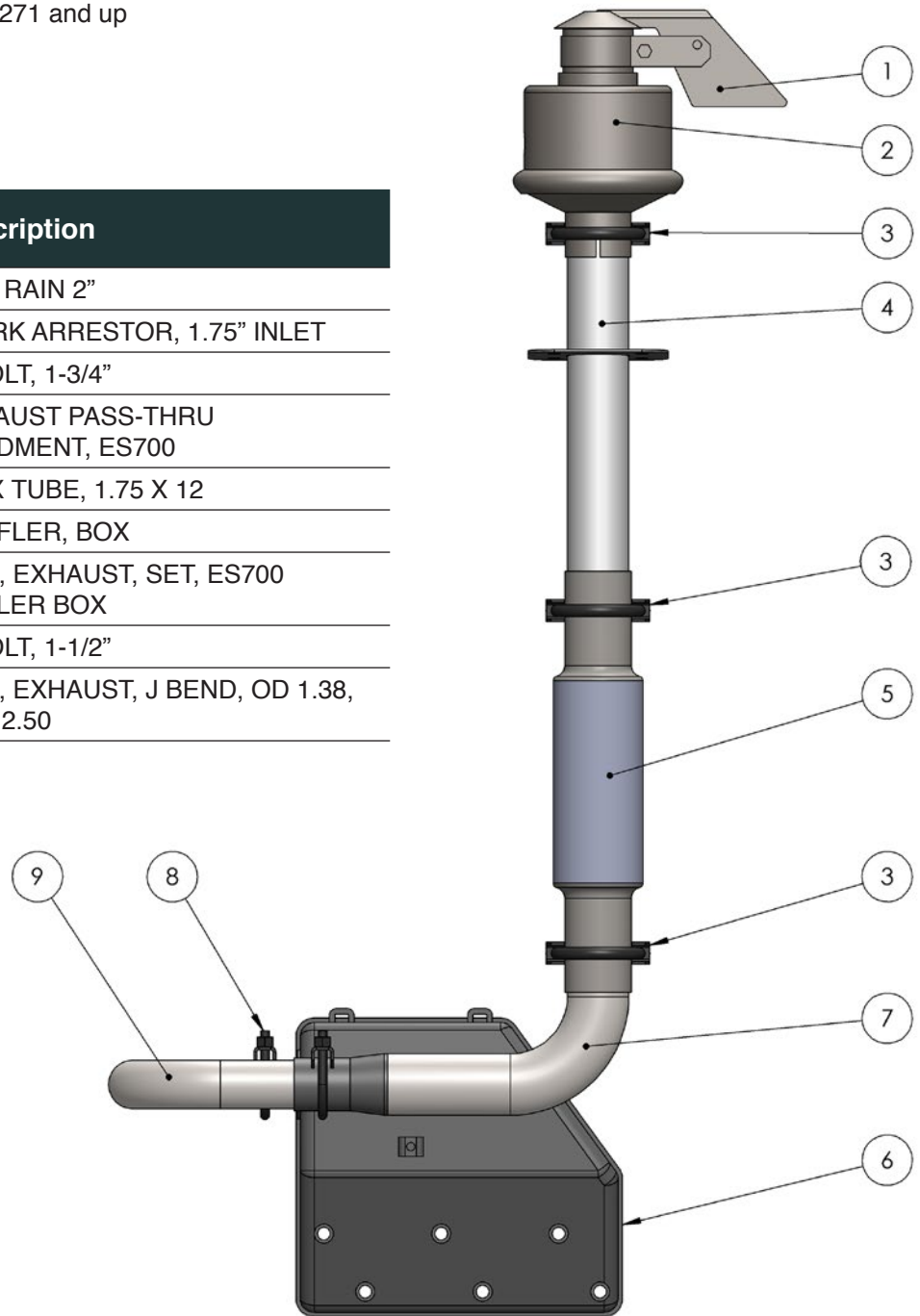
Item No.	Part No.	Description
1	900384	CAP, RAIN 2"
2	900383	SPARK ARRESTOR, 1.75" INLET
3	900326	U-BOLT, 1-3/4"
4	101530	EXHAUST PASS-THRU WELDMENT, ES700
5	900245-03	FLEX TUBE, 1.75 X 12
6	900016	MUFFLER, 6" SIF



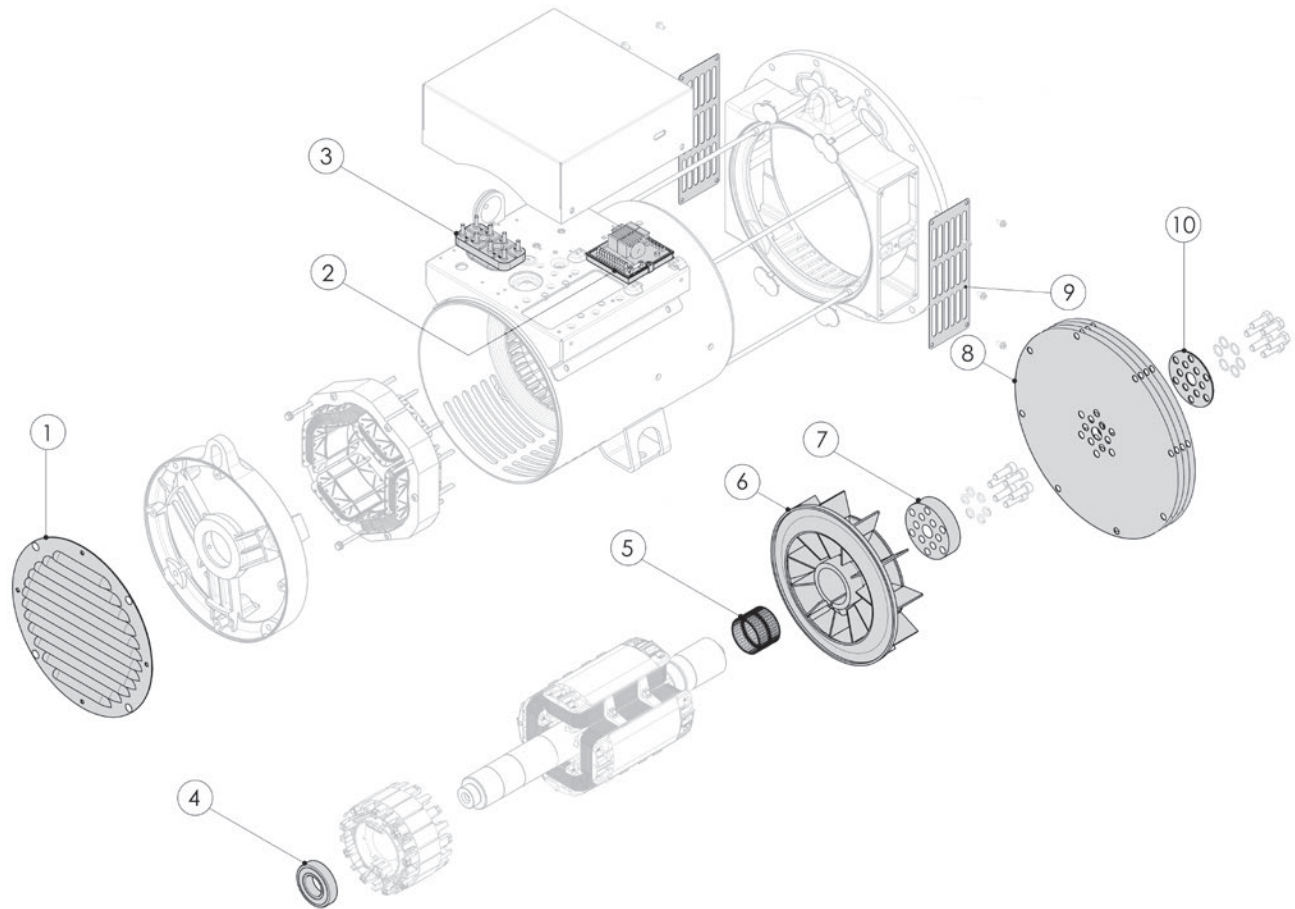
Exhaust Configuration B

ES700 Serial Numbers from 150271 and up

Item No.	Part No.	Description
1	900384	CAP, RAIN 2"
2	900383	SPARK ARRESTOR, 1.75" INLET
3	900326	U-BOLT, 1-3/4"
4	101530	EXHAUST PASS-THRU WELDMENT, ES700
5	900245-03	FLEX TUBE, 1.75 X 12
6	800091	MUFFLER, BOX
7	200044	PIPE, EXHAUST, SET, ES700 MUFLER BOX
8	800101	U-BOLT, 1-1/2"
9	200039	PIPE, EXHAUST, J BEND, OD 1.38, RAD 2.50

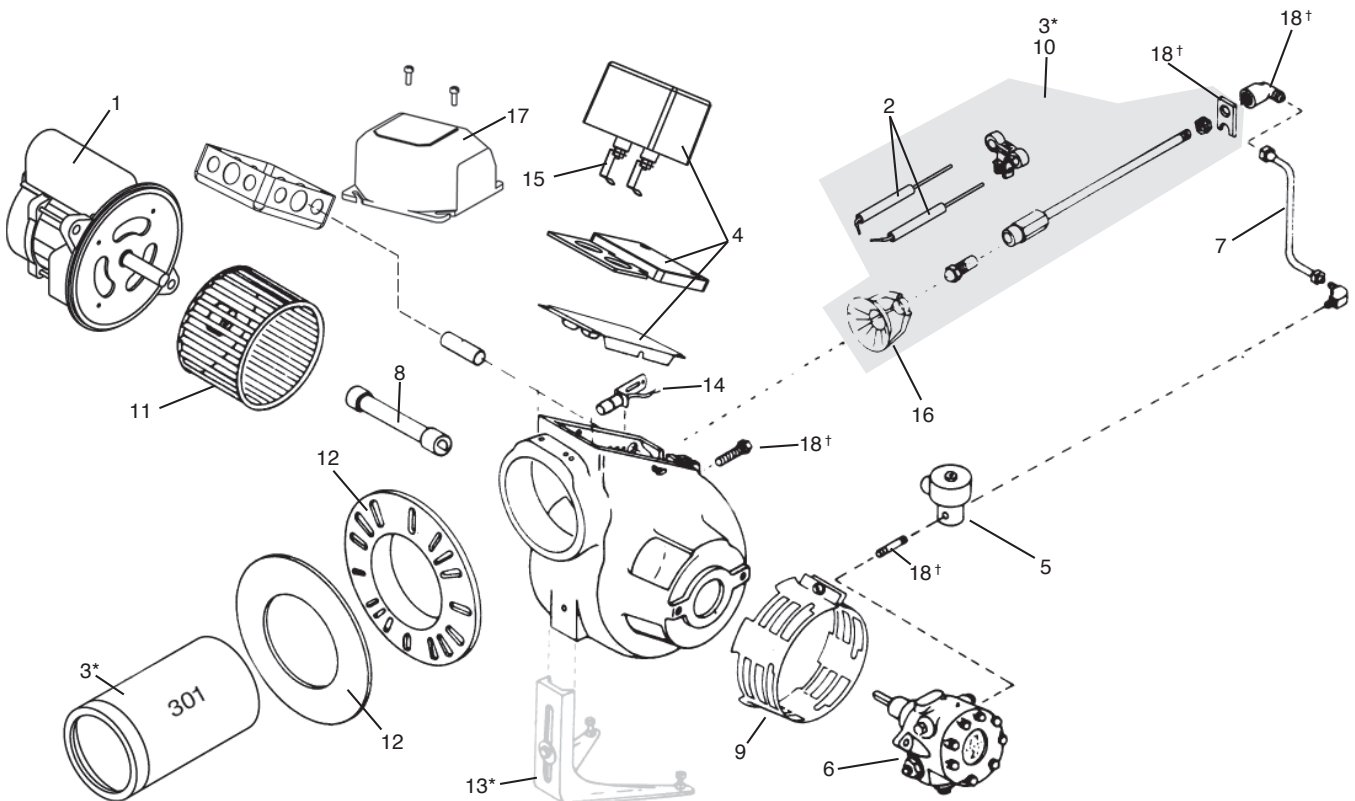


Mecc Alte Generator



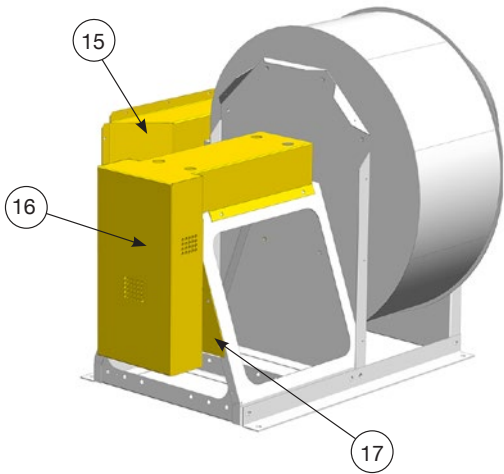
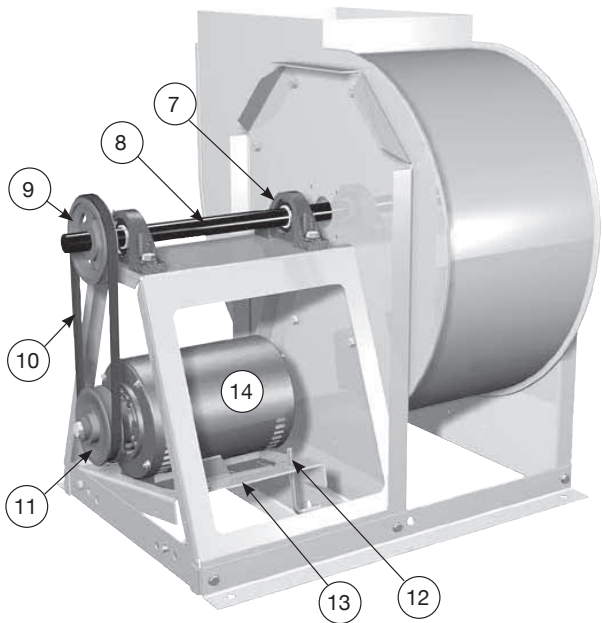
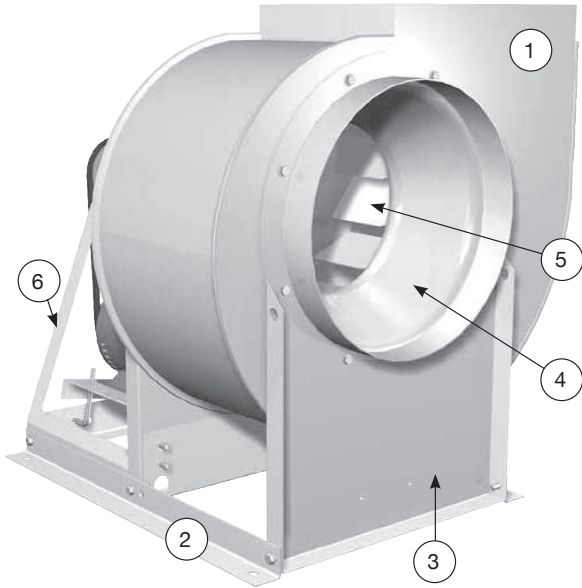
Item No.	Part No.	Description
1	9903905084	REAR SEAL
2	45 050 05 560	ELECTRONIC REGULATOR DSR
3	9909915091	TERMINAL BOARD, 8 PIN
4	9900905066	REAR BEARING 6207-2RS C3
5	9911141200	FIXING RING SV 60-522
6	7502223043	FAN
7	7502212045	RING SPACER VOL. 8 - 10
8	6110611180	COUPLING DISC PLATES SAE 6,5
9	8500626141	PROTECTION SCREEN MD35
10	6110611508	DISC BLOKING RING SPACER

Carlin 301 CRD Advanced Oil Burner



Item No.	Part No.	Description
1	98630S	1/4 HP, 120V, 60HZ, 48N FRAME MOTOR
2	82776S	ELECTRODE SET (2), 7/6" NOMINAL, APPROX. 8-1/2" OAL
3	22293S	301CRD B-STYLE 6" AIR TUBE/COMBUSTION HEAD ASSY
4	41000S0SC	110V IGNITOR ON BASEPLATE
5	SVC10FFS	OIL VALVE
	98289S	OIL VALVE KIT WITH FITTINGS
6	23267S	FUEL UNIT, 2 STAGE, B2YA-8916
7	34785S	OIL LINE KIT (INCL. ALL OIL LINES)
8	28720S	FUEL UNIT COUPLING
9	47001S	201/301CRD 4-SLOT AIR BAND
10	55574S	6" NOMINAL 16-3/4" OAL COMBUSTION HEAD ASSY
11	28563S	BLOWER WHEEL/ FAN
12	23259S	4" UNIVERSAL FLANGE & GASKET
13	23358S	PEDESTAL W/ HARDWARE (Not included on ES700)
14	14407S0ES	CAD CELL KIT
15	41DTK01S	UNIVERSAL IGNITOR TERMINAL KIT
16	55715S	RETENTION RING ASSY 3010CRD
17	70200S	UNIVERSAL PRIMARY W/ DISPLAY 70200
18	2301KITS	HARDWARE KIT (YOKE, CH ELBOW, OV NIP, CH ADJ SCREW)
19	HPGS300	GAUGE, 0-300 PSI

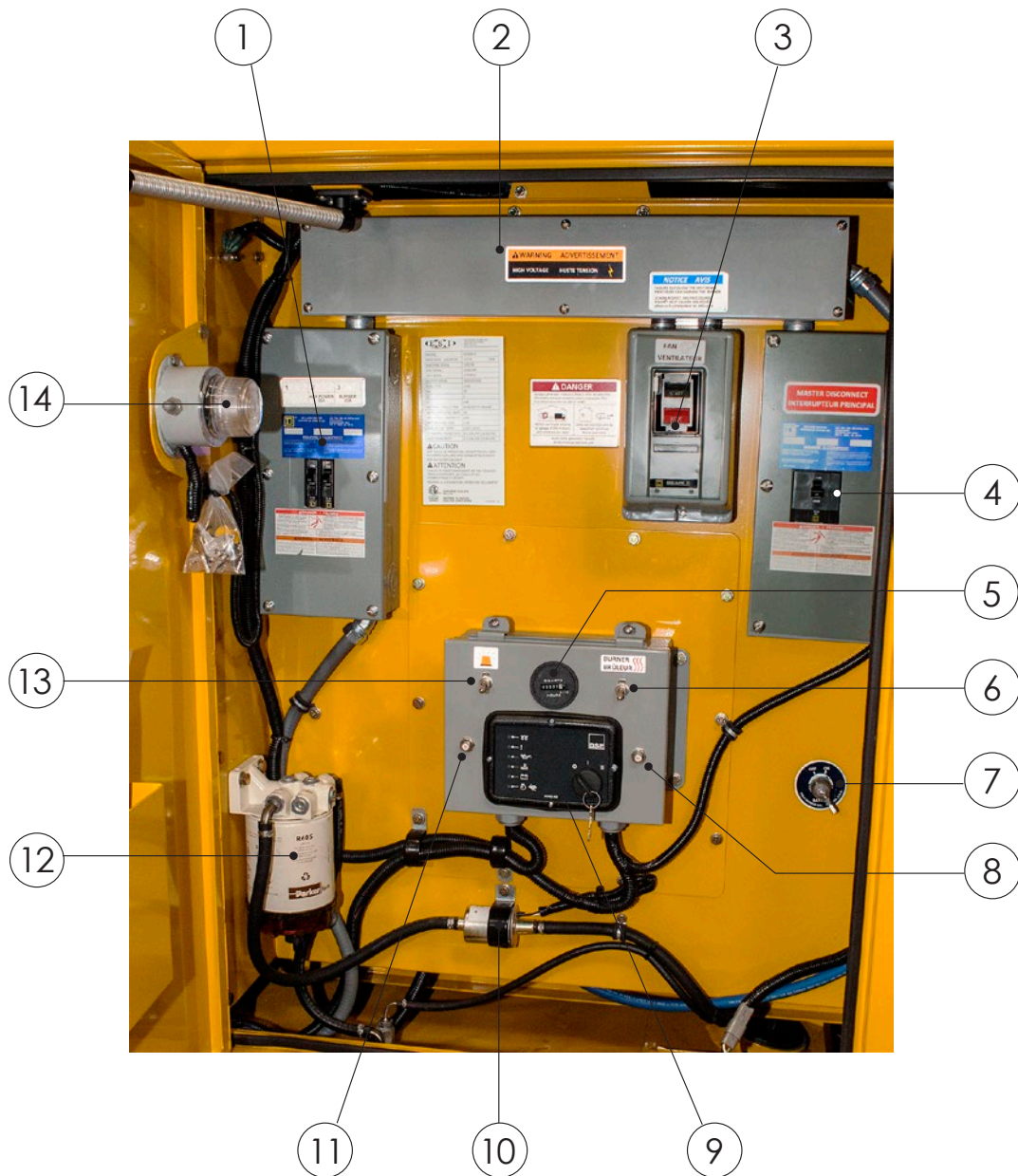
Greenheck SWB200 Centrifugal Utility Fan



 **GREENHECK**
Building Value in Air.

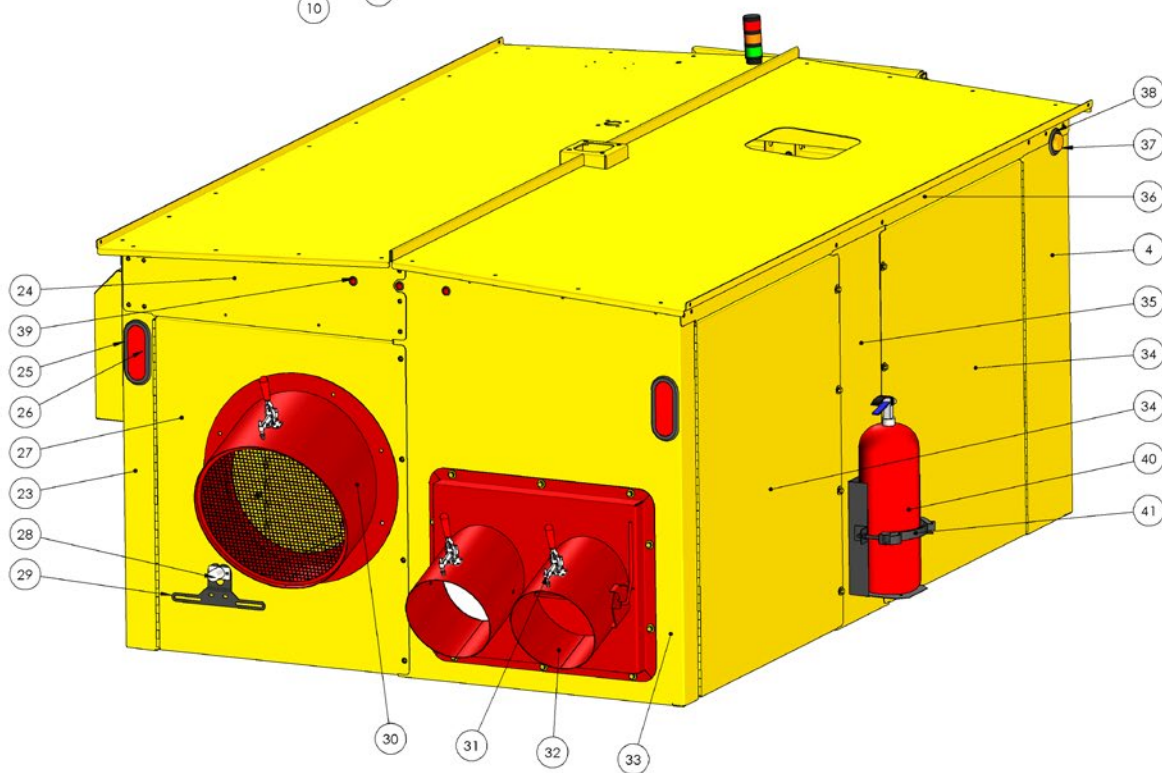
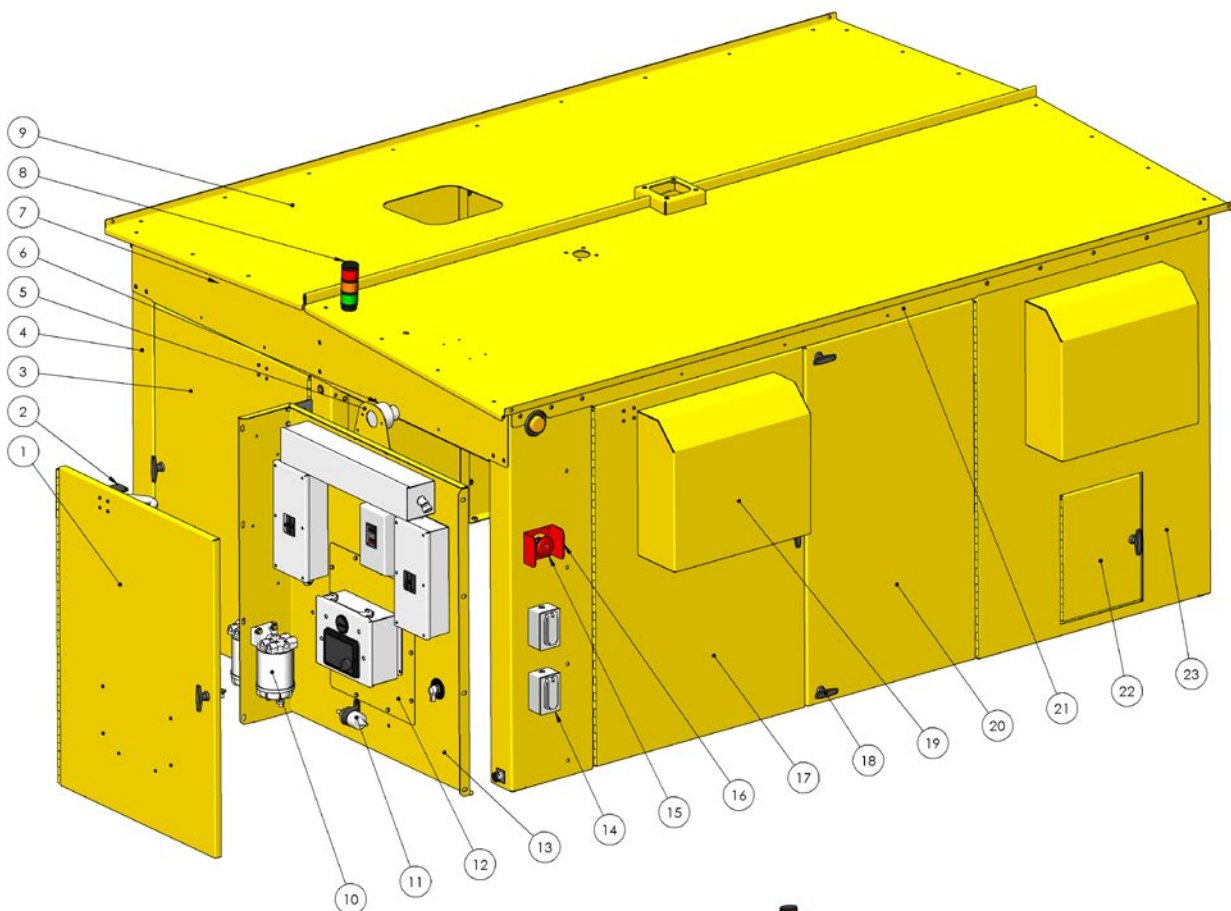
Item No.	Part No.	Description
1	GH30012	SCROLL HOUSING
2	GH30011	DRIVE FRAME - BASE ANGLE
3	GH30013	INTAKE SUPPORT PANEL
4	GH30015	INLET RING AND CONE
5	GH60018	WHEEL - CLOCKWISE ROTATION
6	GH30014	DRIVE FRAME ASSEMBLY
7	GH60019	PILLOW BLOCK BEARINGS
8	GH60011	FAN SHAFT
9	GH60012	SHAFT PULLEY
10	GH60013	BELT
11	GH60014	MOTOR PULLEY
12	GH60015	BELT TENSIONING BOLTS
13	GH30016	MOTOR PLATE
14	P1853048	MOTOR
15	100953	INLET DUCT
16	101553	FAN GUARD
17	101728	BELT GUARD

Control Panel



Item No.	Part No.	Description
1	QO120	AUXILLARY POWER & BURNER BREAKERS
2	101155	JUNCTION BOX
3	900355	FAN POWER SWITCH
4	QO360	MASTER DISCONNECT BREAKER
5	800434	HOUR METER
6	900364	BURNER TOGGLE
7	900321	12V DISCONNECT SWITCH
8	W58XB1A4A-15	BREAKER, 15A
9	0402-004-03	CONTROLLER
10	900081	FUEL PUMP
11	W58XB1A4A-30	BREAKER, 30A
12	R60T	FUEL FILTER
13	900364	BEACON LIGHT TOGGLE SWITCH
14	900320	CONTROL PANEL LIGHT

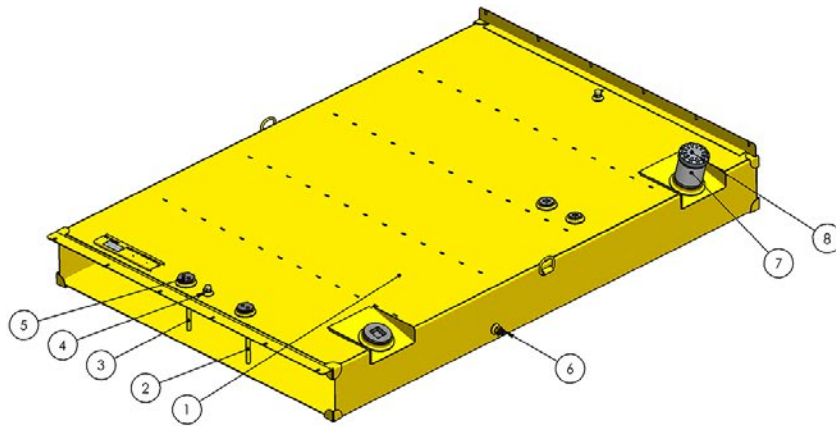
Enclosure



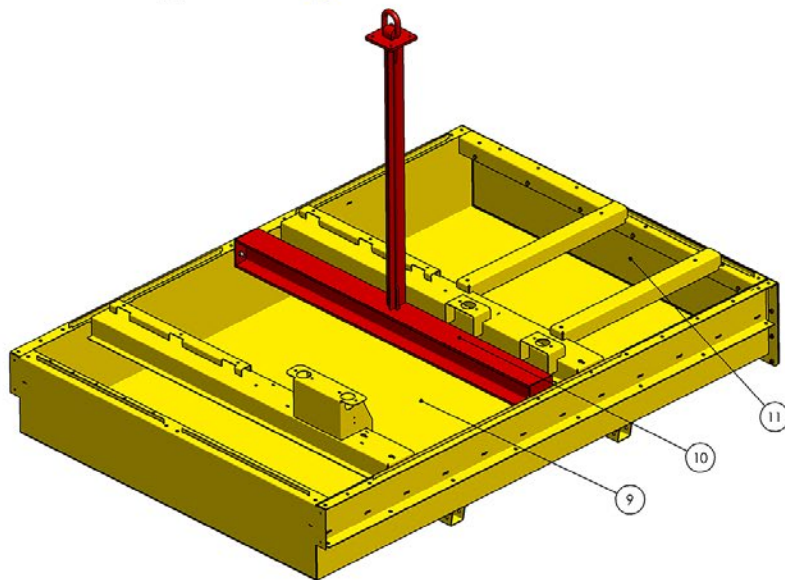
Item No.	Part No.	Description
1	101807	DOOR, FRONT, ENCLOSURE
2	900157	DOOR HOLD OPEN SPRING
3	101174	DOOR, FRONT, ENCLOSURE
4	100909	PANEL, FRONT, RIGHT, ENCLOSURE
5	101478	MOUNT, LIGHT, INTERIOR
6	900320	DOME LAMP
7	101436	HINGE, CONTINUOUS, 44" x .075" x 3/16"
8	800043	LIGHT, TOWER, 3 COLOR
9	200043	PANEL, ROOF, RIGHT
10	900117	FUEL FILTER - RACOR 660R2
11	900081	FUEL PUMP
12	100945	COVER PLATE
13	100942	CONTROLS MNT PANEL
14	900244	GFCI COVER, VERTICAL
15	900309	E-STOP, RED JUMBO MUSH NEMA 4X
16	100934	E-STOP GUARD
17	101184	DOOR PANEL
18	900220-1	LATCH, TEE HANDLE COMPRESSION
19	101162	VENT HOOD
20	101186	DOOR LEFT, ENCLOSURE
21	100905	PANEL, LEFT, UPPER, ENCLOSURE
22	100889	FUEL DOOR
23	100906	PANEL, LEFT, ENCLOSURE
24	101138	PANEL, BACK, ENCLOSURE
25	900201	LAMP GROMET, OVAL
26	900200	LAMP S/T/T LED OVAL 12V
27	101189	DOOR, BACK
28	900308	LAMP, LICENSE/INSTRUMENT TL 26 SERIES
29	900307	LICENSE PLATE MNT
30	101480	DUCT, ADAPTER, 20"
31	900210	TOGGLE CLAMP
32	100915	OUTLET DUCT, 12"
33	100907	ENCLOSURE PANEL
34	101180	DOOR, PANEL
35	101161	PANEL, LEFT, ENCLOSURE
36	100908	PANEL, RIGHT, ENCLOSURE
37	900203	LAMP M/C, 12V LED 2" AMBER
38	900204	LAMP GROMET, 2" RND
39	900224	LAMP, LED 33 SERIES ID ASSEMBLY
40	900327	FIRE EXT, ABC, 20 LB
41	900312	FIRE EXT MNT, 7"

Trailer Assembly

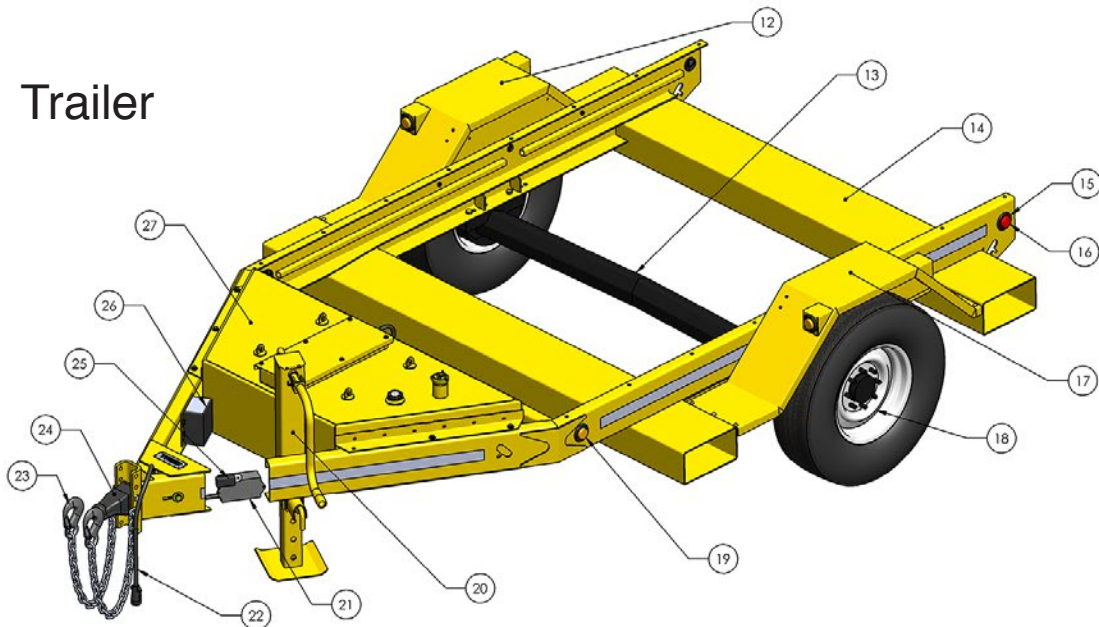
Fuel Tank



Containment

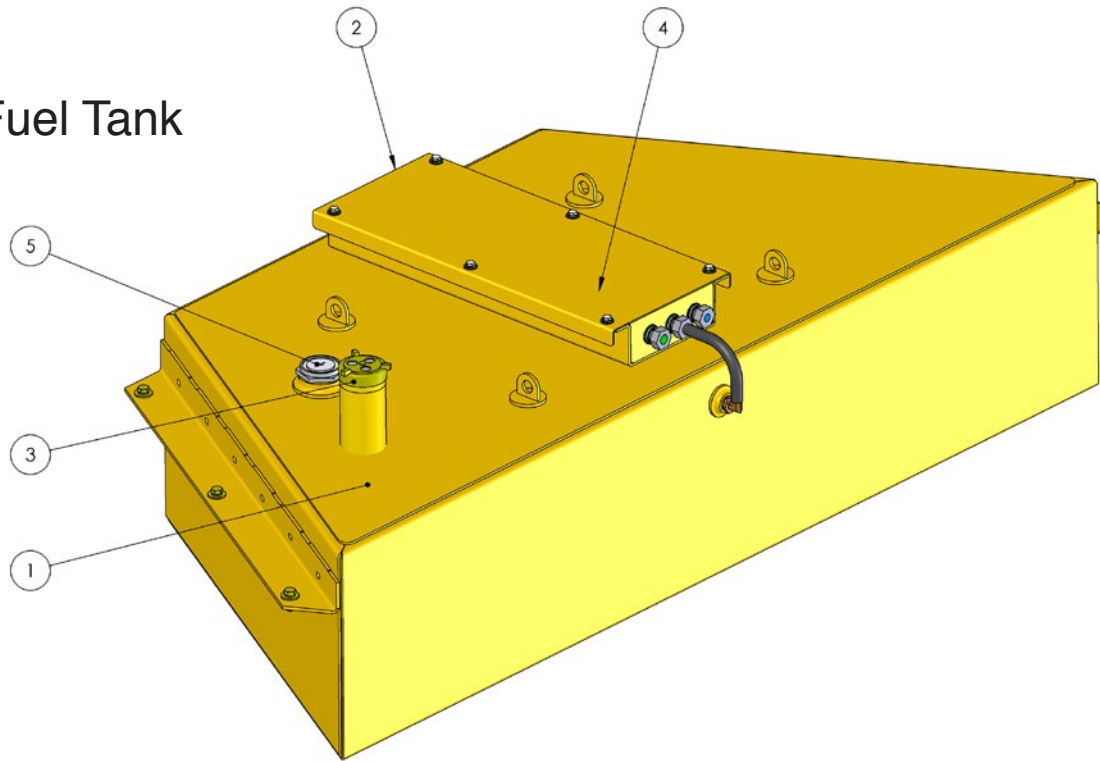


Trailer



Item No.	Part No.	Description
1	101618	TANK TOP PANEL
2	101665	FUEL PICKUP TUBE, 3/8 NPT
3	101664	FUEL PICKUP TUBE, 3/8 NPT
4	900382	FUEL TANK SAFETY VALVE
5	900281	DUPLEX BUSHING, 3-WAY TAP, 3/8" NPT
6	800065	SENSOR, LIQUID LEVEL SWITCH
7	900277-3248	NIPPLE, SCH 40 CARBON STEEL, 4 X 6"
8	900278	FUEL CAP, NON-VENTED 4"
9	101150	CONTAINMENT SHELL
10	101656	BEAM, W5X19
11	100929	CONTAINMENT AFT BULKHEAD
12	101196	FENDER PANEL (RIGHT)
13	900421	AXLE, 8000LB TORSION, 72" BRKT, 87.25" HUB FACE
14	101144	FORK POCKET
15	900204	LAMP GROMET, 2" RND
16	900205	LAMP M/C, 12V LED 2" RED
17	100893	FENDER PANEL (LEFT)
18	900226	TIRE & WHEEL, 235/85-R16, 16 x 6
19	900203	LAMP M/C, 12V LED 2" AMBER
20	900358	JACK, SIDE WIND 4" W/SIDE PIN
21	900365	JUNCTION BOX
22	800323	CABLE, CONNECTOR, 7 WAY, 8'
23	900284	SAFETY CHAIN, 3/8"X35", 10,000 lb
24	800097	COUPLER, HEIGHT ADJUSTABLE, 14000LB
25	900366-02	BREAKAWAY SWITCH
26	900366	BREAKAWAY BATTERY
27	101832	TANK PANEL, AUX (see following page for details)

Auxiliary Fuel Tank



Item No.	Part No.	Description
1	101818	AUX TANK WELDMENT, ES700B
2	101820	CONTAINMENT COVER
3	900482	FUEL CAP, NON-VENTED 2"
4	900382	FUEL TANK SAFETY VALVE
5	900556	LIQUID LEVEL GAGE, FRACTIONAL DIAL 11"

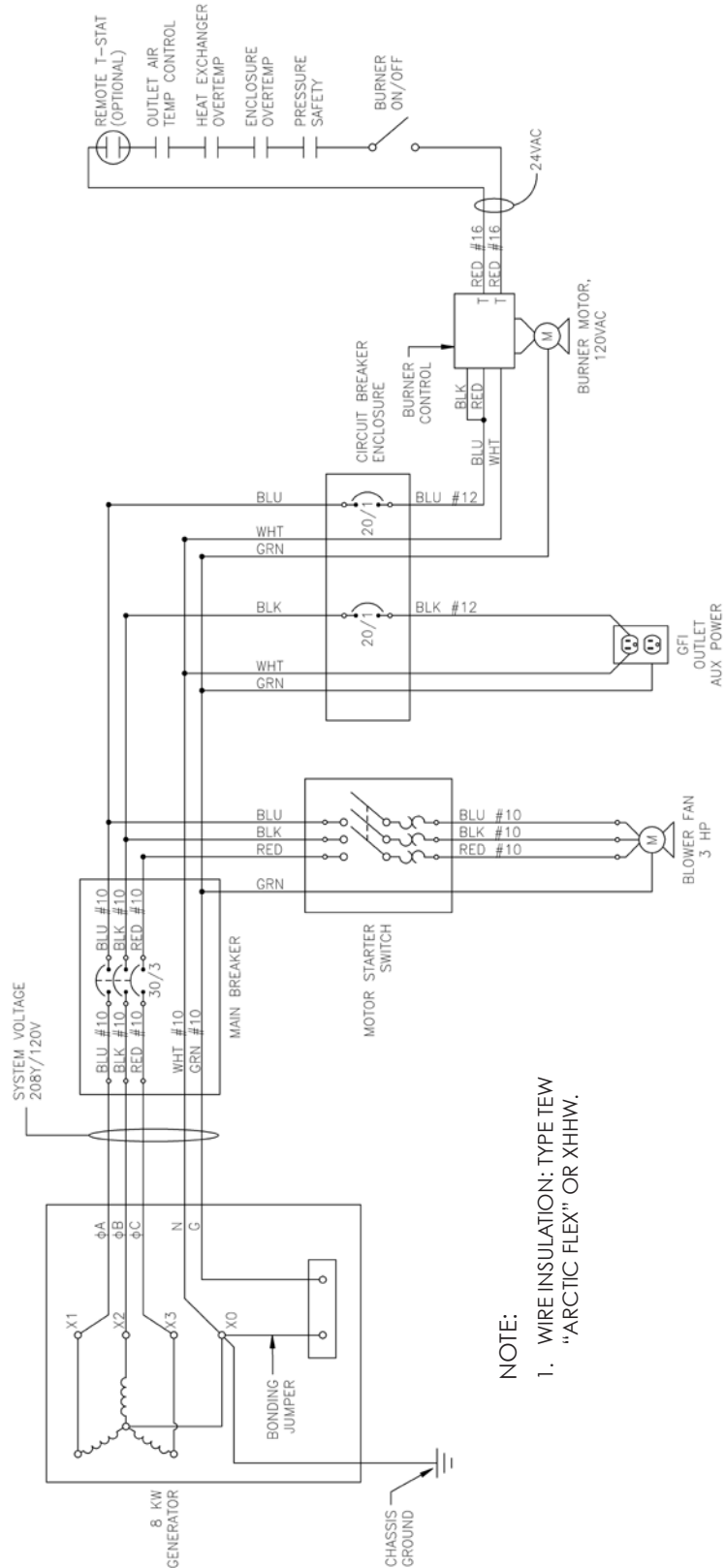
Firebox



Item No.	Part No.	Description
1	SEL-320M	SNAP DISC
2	L4064B2236	FAN & LIMIT CONTROL
3	AFS-222	CLEVELAND AIR CONTROLLER
4	SQ701RA	CHIMNEY FLASHING
5	101964	STACK WELDMENT
6	101463	CHIMNEY CAP, 8"

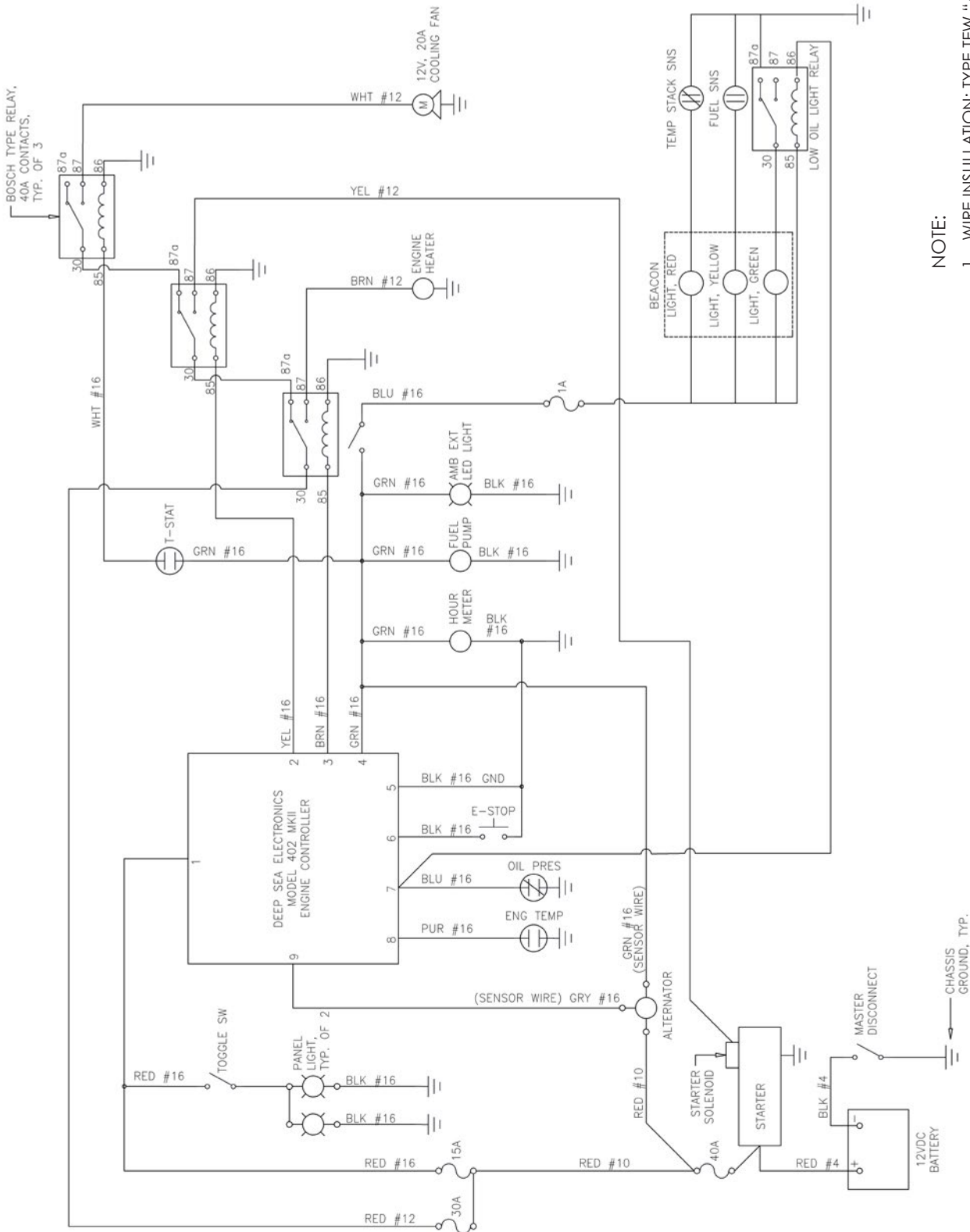
Electrical Schematics

Power Wiring



NOTE:
1. WIRE INSULATION: TYPE TEW
"ARCTIC FLEX" OR XHHW.

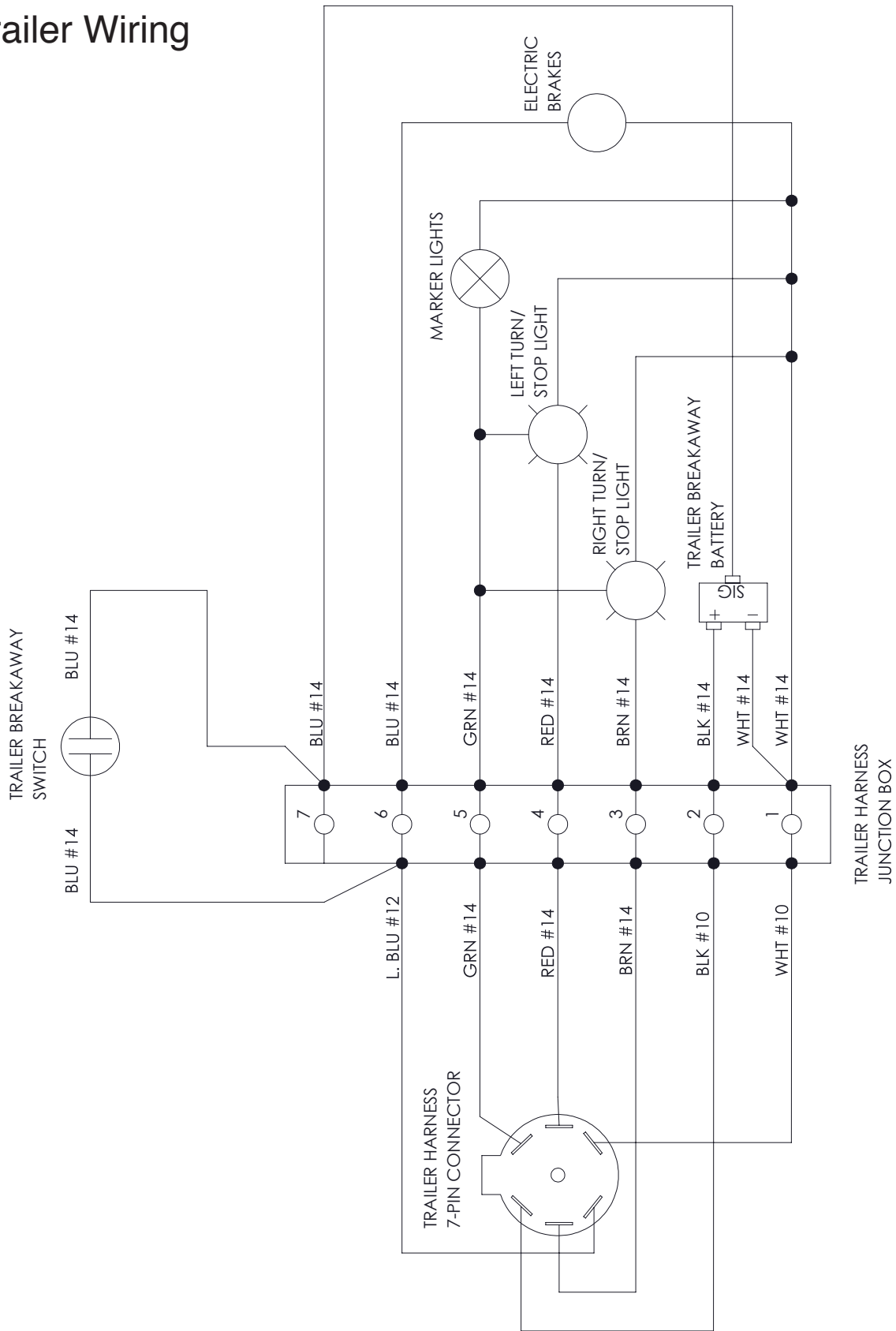
Engine Controller Wiring



NOTE:

1. WIRE INSULATION: TYPE TEW "ARCTIC FLEX" OR XHHW.
2. WIRE GAGES SPECIFIED ARE MINIMUMS, LARGER WIRES MAY BE USED.

Trailer Wiring



ESI Parts Department

Renton
1010 SW 41st Street
Renton, WA 98057
(425) 251-6119

Fairbanks
1919 Van Horn Road
Fairbanks, AK 99701
(907) 458-9094

Anchorage
7780 Old Seward Hwy
Anchorage, AK 99518
(907) 341-2250

www.EquipmentSourceInc.com