



# ES500 / ES1000 Parts Catalog



## Contents

Filters.....	1	Enclosure - ES1000.....	15
Engine .....	3	Trailer - ES500 .....	17
Flagro 400 .....	9	Trailer - ES1000 .....	19
Control Panel.....	11	Electrical.....	21
Enclosure - ES500.....	13		

[www.EquipmentSourceInc.com](http://www.EquipmentSourceInc.com)

# Filters



Item No.	Part No.	Description
1	ES500 FILTER KIT ES1000 FILTER KIT	SERVICE KIT (see below for details)
2	K1211-82320	B910 A/C KIT
3	HH160-32093	05' OIL FILTER
4	1A-30	FLAGRO FUEL FILTER (1 only ES500)
5	R60T	RACOR 660R

## Service Kit

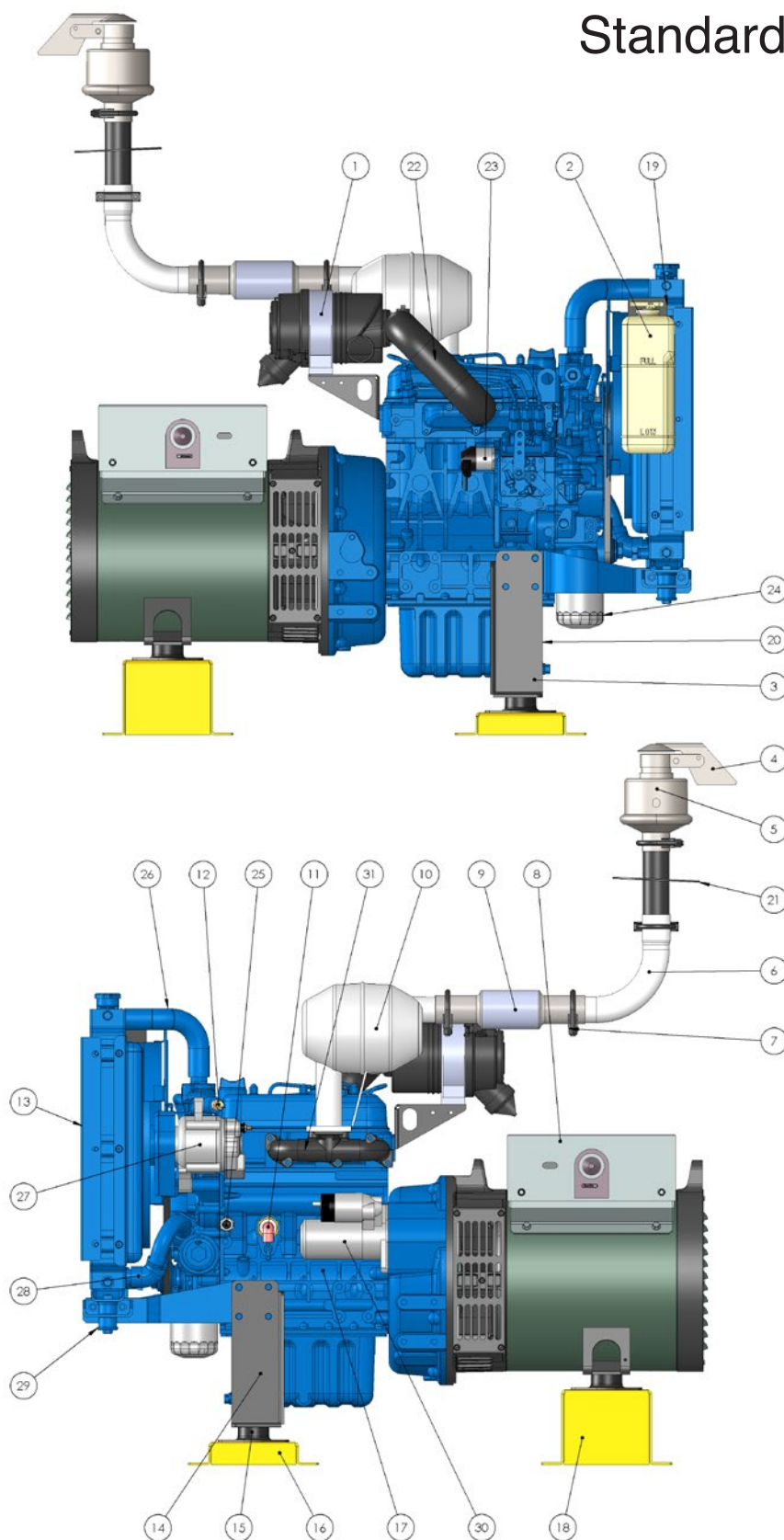
The service kit includes all filters listed above plus the following extras:

- Scott disposable shop rags
- Coco absorb
- Gojo hand wipes
- Disposable bag
- Pair of disposable gloves

# Engine Assembly

## Standard Configuration

ES500 and ES1000

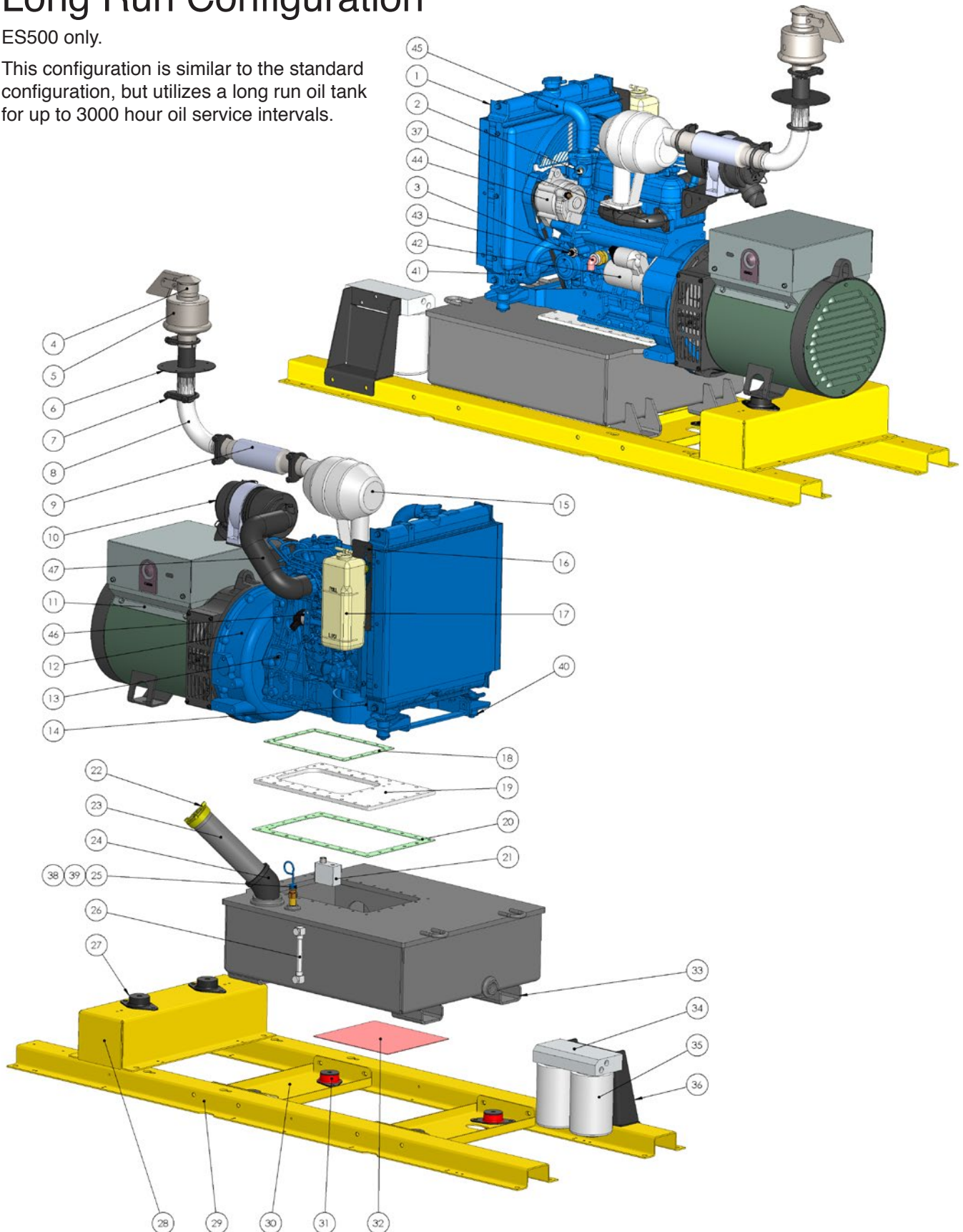


ITEM NO.	PART NO.	DESCRIPTION
1	900076	AIR CLEANER ASSY B910
2	900079	TANK, RECOVERY, ASSY
3	10503	ENG MNT BRKT, LT D_05
4	900384	CAP, RAIN 2"
5	900383	SPARK ARRESTOR, 1.75" INLET
6	900766	EXHAUST PIPE, 90 DEG. 1-3/4" OD
7	900326	U-BOLT, 1-3/4"
8	900263	GEN, MECC ALTE ECP28-S-MD35-SAE5-V6.5 (Details on pg. 5)
9	900245-02	FLEX TUBE, 1.75 X 10
10	900768	MUFFLER, 6" SIF TALL
11	800085	ENGINE HEATER, 120V 7.5A"
12	900080	SWITCH, THERMO, TEMPERATURE
13	900656	RADIATOR KIT, A65
14	10502	ENG MNT BRKT, R D_05
15	900427-350	ISOLATER LF1.5, 350 LB AXIAL/230 LB RADIAL MAX LOAD
16	101433-01	ENGINE MOUNT
17	900028	ENGINE, D1105-E4BG1-SAE-2
18	101433-02	GENERATOR MOUNT
19	101804	MOUNT, OVERFLOW BOTTLE, RT04
20	901083	HEATER, PAD, TEMPCO 3" X 5", 75 WATT, 120V
21	101448	EXHAUST PASS THRU
22	MA-340-IH	HOSE, AIR CLEANER
23	17208-60016	SOLENOID, FUEL
24	HH160-32093	FILTER, OIL
25	15841-39010	SWITCH, OIL
26	16266-72941	HOSE, UPPER, RADIATOR
27	16231-64012	ALTERNATOR
28	16286-72851	HOSE, LOWER, RADIATOR
29	15111-72181 15111-72191	CUSHION, UPPER/LOWER RADIATOR (2 parts, sold as kit)
30	6A320-59210	STARTER
31	900094	EXHAUST MANF, CTR UPWARD D1005/D1105

# Long Run Configuration

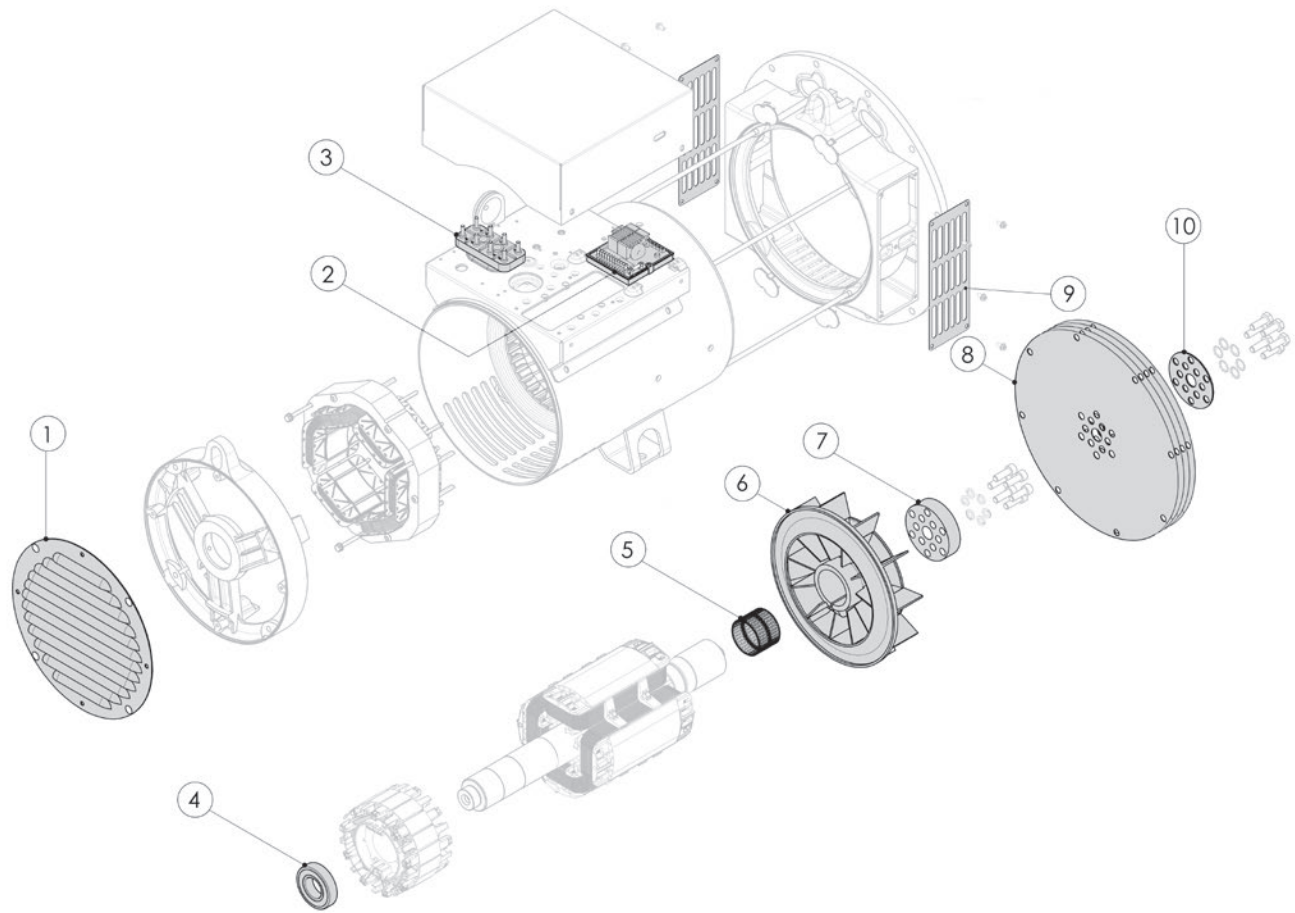
ES500 only.

This configuration is similar to the standard configuration, but utilizes a long run oil tank for up to 3000 hour oil service intervals.



Item No.	Part No	Description
1	900656	RADIATOR KIT, A65
2	900080	SWITCH, THERMO, TEMPERATURE
3	800085	ENGINE HEATER, 120V 7.5A"
4	900384	CAP, RAIN 2"
5	900383	SPARK ARRESTOR, 1.75" INLET
6	101448	EXHAUST PASS THRU
7	900326	U-BOLT, 1-3/4"
8	900766	EXHAUST PIPE, 90 DEG. 1-3/4" OD
9	900245-03	FLEX TUBE, 1.75 X 12
10	900076	AIR CLEANER ASSY B910
11	900263	GEN, MECC ALTE ECP28-S-MD35-SAE5-V6.5 (Details on pg. 5)
12	900028	ENGINE, D1105-E4BG1-SAE-2
13	901089	PLUG, OIL GAUGE
14	101798	CAP, OIL FILTER D-SERIES
15	900768	MUFFLER, 6" SIF TALL
16	101804	MOUNT, OVERFLOW BOTTLE, RT04
17	900079	TANK, RECOVERY, ASSY
18	101561	GASKET, LRT PLATE TO ENGINE D SERIES
19	101774	PLATE, ADAPTER, OIL PAN, LRT, 3 CYL '05 SER
20	101552	GASKET, LRT D-SERIES TANK TO PLATE
21	101559	EXTENDER, OIL PICKUP D1105
22	900482	FUEL CAP, NON-VENTED 2"
23	900277-1672	NIPPLE, SCH 40 CARBON STEEL, 2 X 9"
24	800333	FITTING, ELBOW 45°, 2" NPT, 150 PSI, BLACK IRON
25	16295-36410	GAUGE, OIL
26	901085	SIGHT TUBE, LIQUID LEVEL GAUGE
27	900427-350	ISOLATER LF1.5, 350 LB AXIAL/230 LB RADIAL MAX LOAD
28	101433-02	GENERATOR MOUNT
29	200369	RAIL, SUPPORT, WELDMENT, GENSET LRT 13 GAL
30	200366	MOUNT, LRT 13 GAL, WELDMENT
31	800331-1	ISOLATER, 515 SERIES, 150 LB AXIAL, 100 LB RADIAL
32	901084	HEATER, PAD, TEMPCO 10" X 9" 450 WATT, 120V
33	200360	PAN, OIL WELDMENT, LRT, '05 SER, 13 GAL
34	101799	MOUNT, DUAL OIL FILTER
35	900142	OIL FILTER - KUBOTA 16121-32430
36	200386	MOUNT, OIL FILTER, WELDMENT
37	900094	EXHAUST MANF, CTR UPWARD D1005/D1105
38	800297	NIPPLE, PIPE, BRASS, 3/8" NPT x 2" NPT
39	901091	ADAPTER, FITTING, BRASS, 3/8" F-NPT x 1/4" F-NPT
40	15111-72181 15111-72191	CUSHION, UPPER/LOWER RADIATOR (2 parts, sold as kit)
41	16286-72851	HOSE, LOWER, RADIATOR
42	6A320-59210	STARTER
43	15841-39010	SWITCH, OIL
44	16231-64012	ALTERNATOR
45	16266-72941	HOSE, UPPER, RADIATOR
46	17208-60016	SOLENOID, FUEL
47	MA-340-IH	HOSE, AIR FILTER

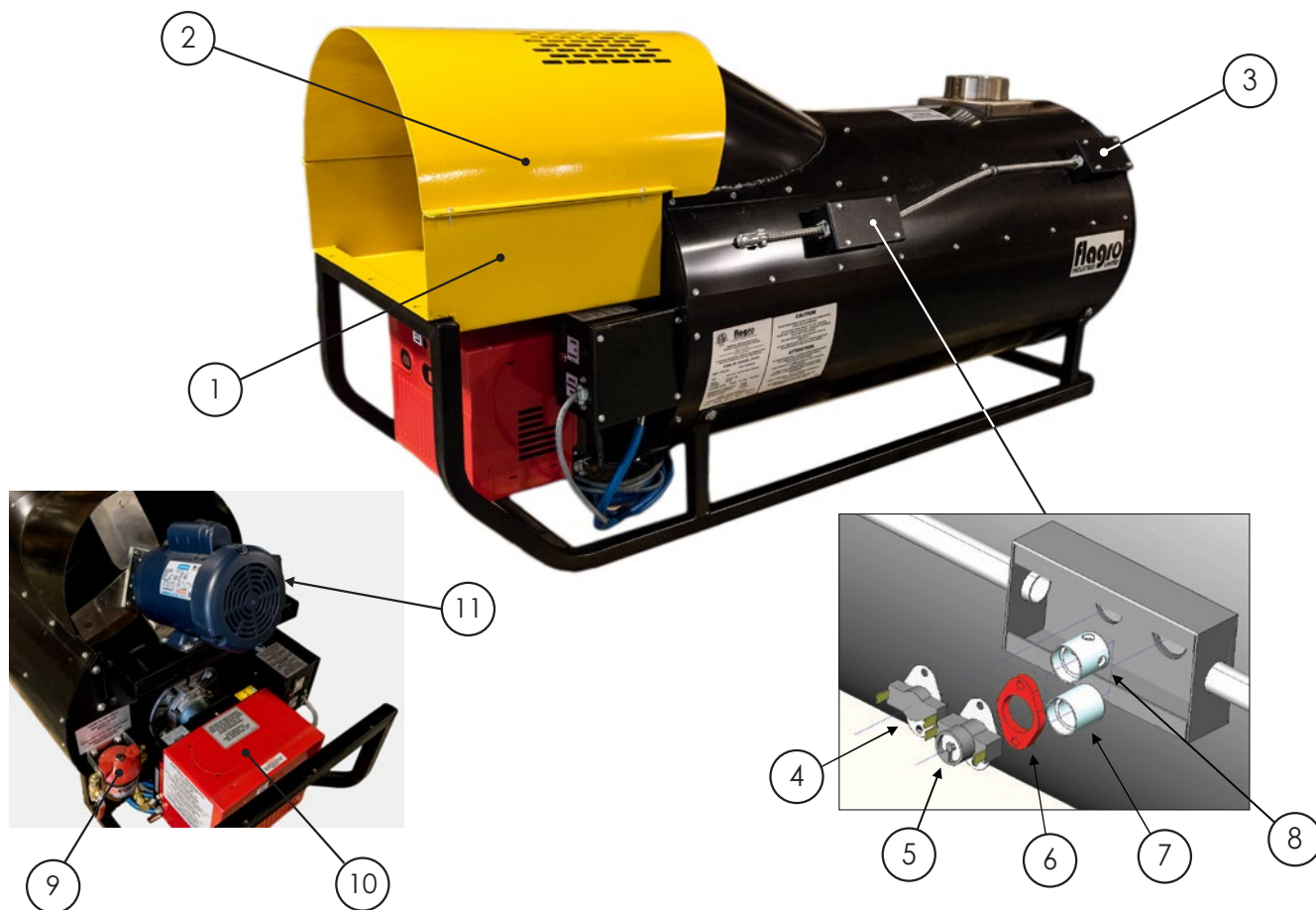
# Mecc Alte Generator





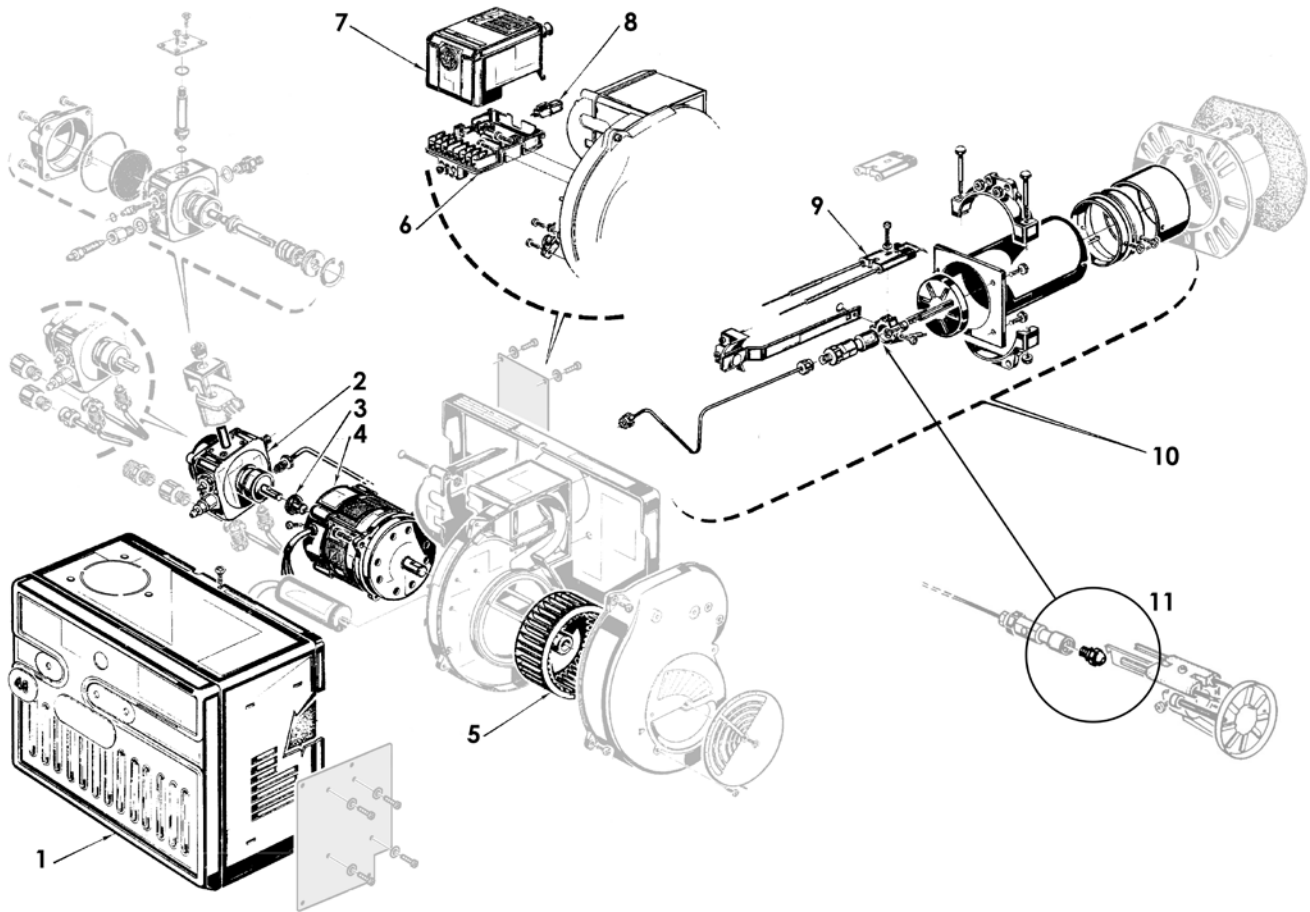
Item No.	Part No.	Description
1	9903905084	REAR SEAL
2	45 050 05 560	ELECTRONIC REGULATOR DSR
3	9909915091	TERMINAL BOARD, 8 PIN
4	9900905066	REAR BEARING 6207-2RS C3
5	9911141200	FIXING RING SV 60-522
6	7502223043	FAN
7	7502212045	RING SPACER VOL. 8 - 10
8	6110611180	COUPLING DISC PLATES SAE 6,5
9	8500626141	PROTECTION SCREEN MD35
10	6110611508	DISC BLOKING RING SPACER

# Flagro 400



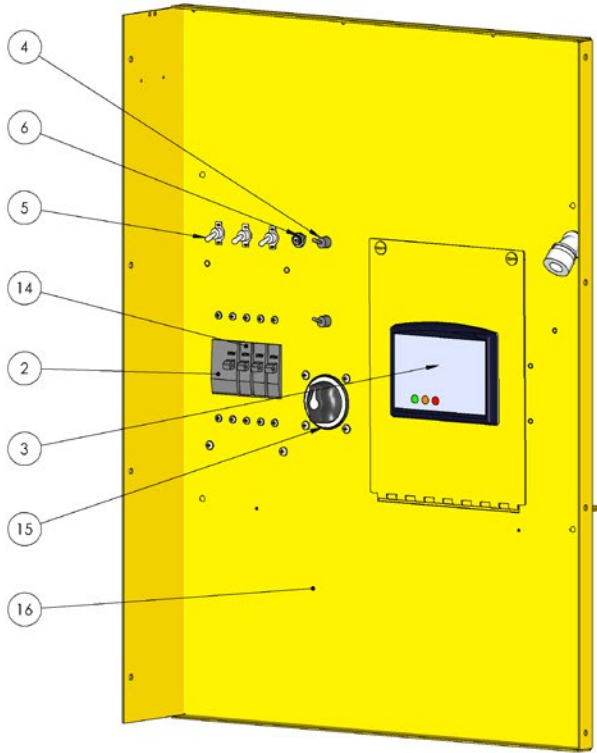
Item No.	Part No.	Description
1	101413	COVER, LOWER, FAN
2	101414	COVER, UPPER, FAN
3	FV-406	SNAP DISC, HIGH LIMIT SWITCH, OUTLET (1 piece, behind cover)
4	FV-437	SNAP DISC, HIGH LIMIT, REAR
5	FV-407A	SNAP DISC, FAN LIMIT SWITCH
6	FV-407G	GASKET, FAN LIMIT
7	FV-433B	FEELER GAUGE, SOLID
8	FV433	FEELER GAUGE
9	1A30	FILTER, FUEL
10	FVO-415	RIELLO BURNER, F10 (see next page for parts list)
11	FV-401TR	FAN, 1.5 HP

# Riello F10 Burner

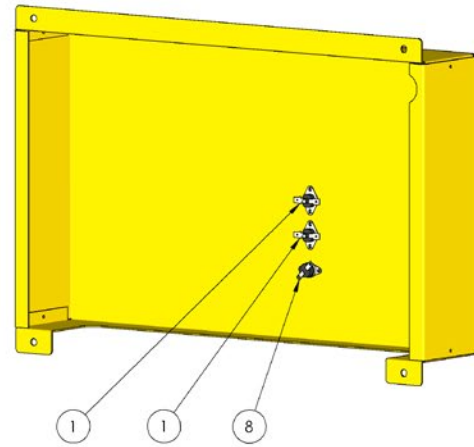


Item No.	Part No.	Description
1	3007234	BURNER BACK COVER
2	3007802	PUMP
3	3000443	PUMP DRIVE KEY
4	3005843	MOTOR
5	3005788	FAN
6	3002278	PRIMARY CONTROL SUB BASE
7	3001157	PRIMARY CONTROL 530SE/C
8	3002280	PHOTO-CELL
9	3005890	ELECTRODE ASSEMBLY - SHORT
10	3949071	COMBUSTION HEAD ASSEMBLY
	2.00 x 60B	NOZZLE
11	2.25 x 45B	NOZZLE
	1.75 x 60W	NOZZLE, HIGH ALTITUDE

# Control Panel

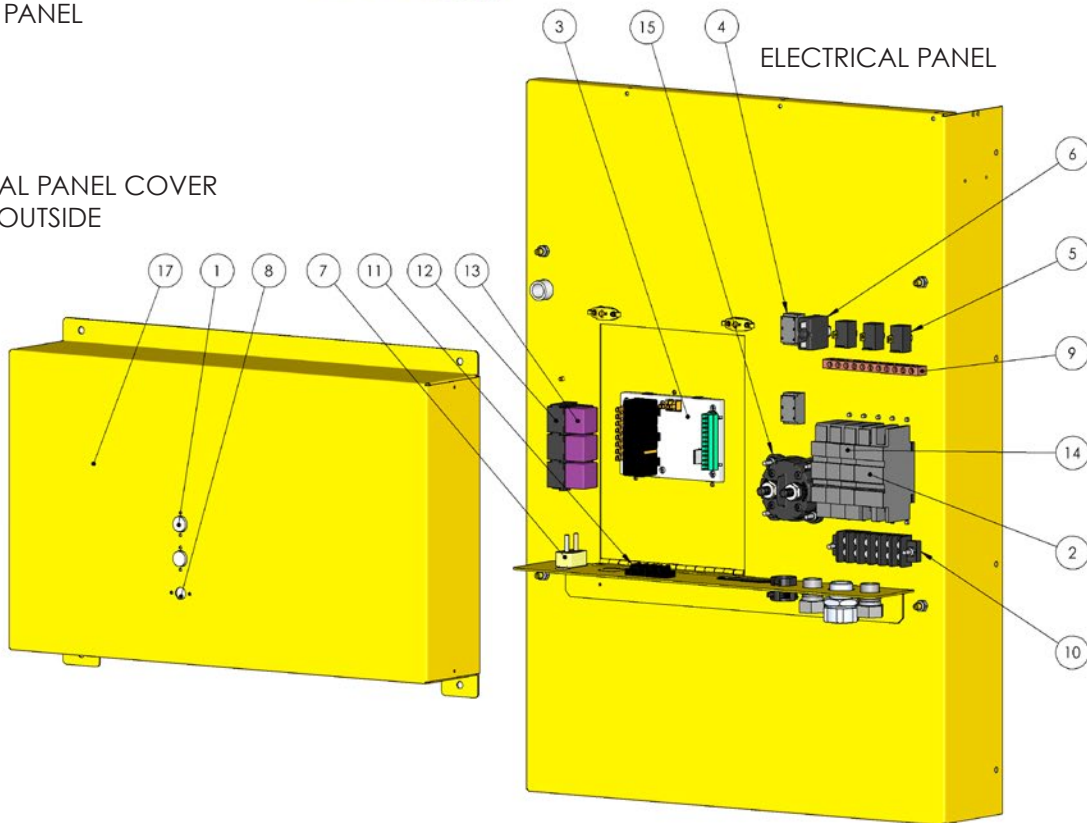


CONTROL PANEL



ELECTRICAL PANEL COVER  
INSIDE

ELECTRICAL PANEL COVER  
OUTSIDE

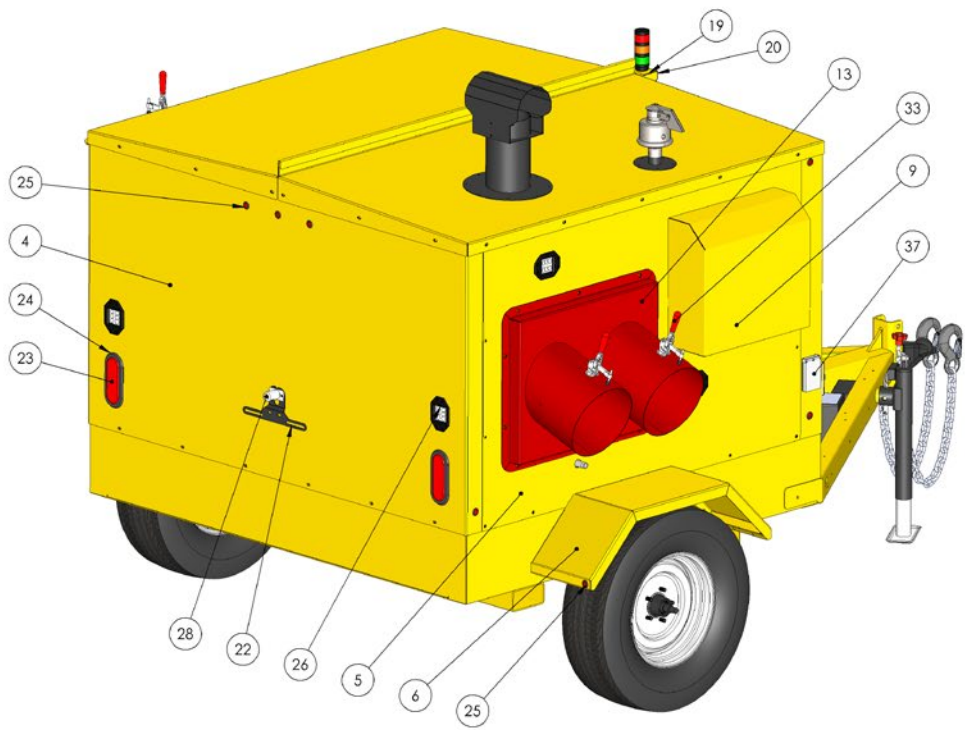
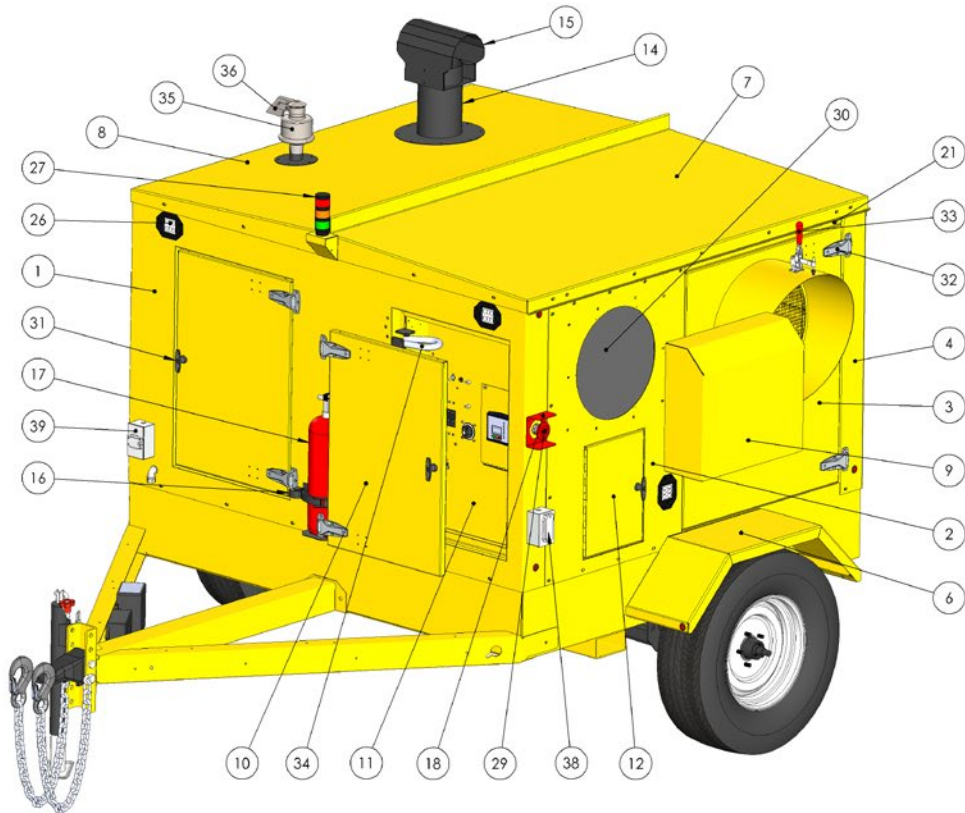


ELECTRICAL PANEL

Item No.	Part No.	Description
1	900318	THERMOSTAT, DISC MANUAL RESET 120F
2	900127-250	BREAKER, TWO POLE 120/240 VAC 50 AMP
3	900269	DYNAGEN GSC300
4	900351	TOGGLE SWITCH, HEATER POWER
5	900364	TOGGLE SWITCH, 2 POLE 20A 125 VAC 3/4 HP
6	900723	PUSH BUTTON BREAKER, 30 AMP
7	900370	CIRCUIT BREAKER, 12V 30A
8	900369	THERMOSTAT, DISC AUTOMATIC RESET 60F
9	900756	GROUND BAR, CABINET BOND, 9 HOLE
10	900767	TERMINAL BLOCK, 6 POSITION JUMPERED
11	800086	BLOCK, TERMINAL, 4 POSITIONS, 20A, 150V
12	800088	MOUNT, MINI RELAY, 5 PIN
13	800087	RELAY, MINI, HIGHT CURRENT, 12V 20/30A
14	900126-120	BREAKER, ONE POLE 120/240 VAC 20 AMP
15	900751	DC DISCONNECT SWITCH 300 AMP
16	102381	ELECTRICAL PANEL
17	102383	COVER, ELECTRICAL PANEL

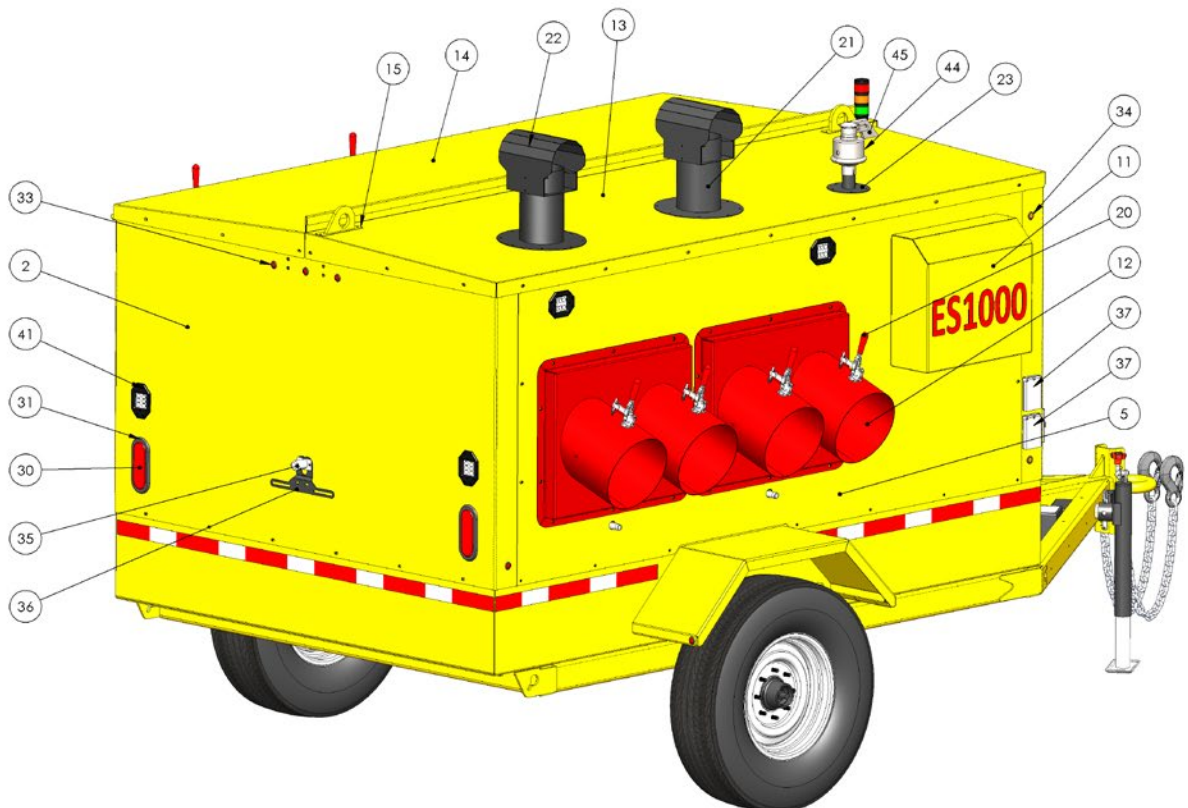
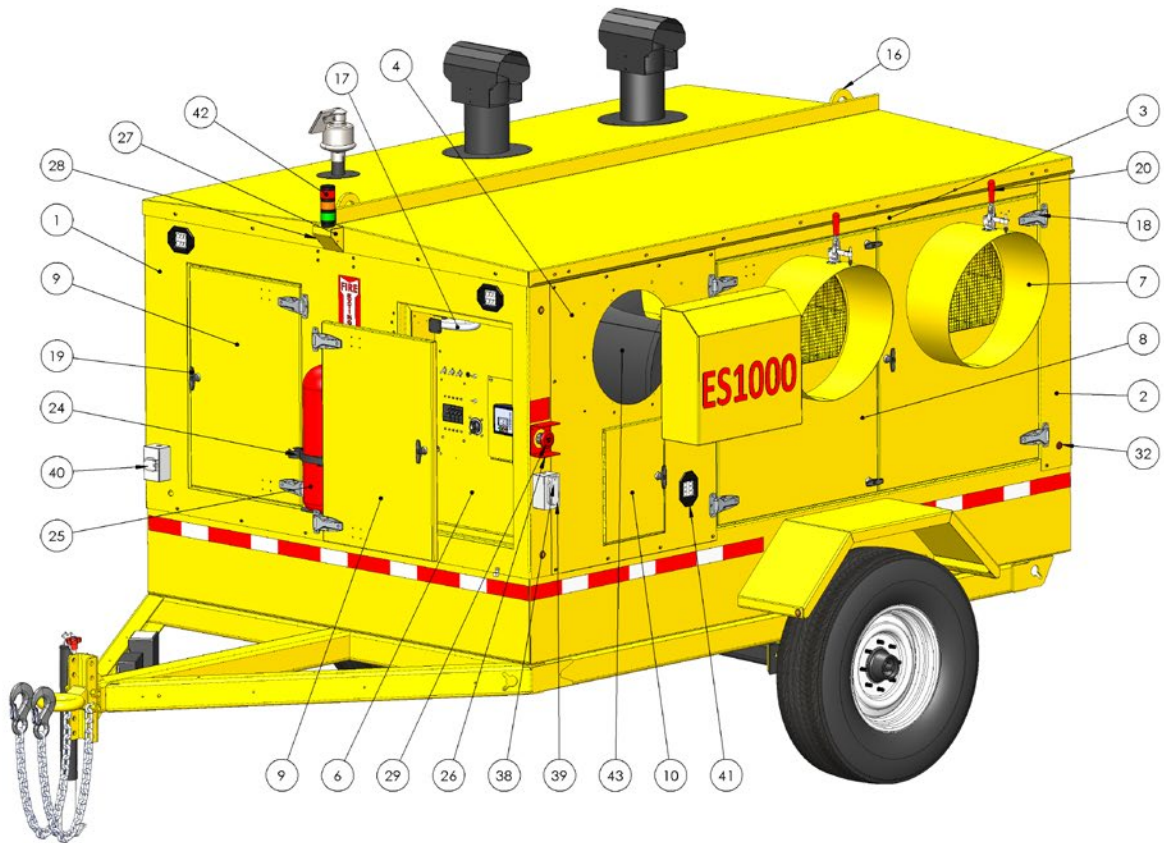
# Enclosure

## ES500 Enclosure



Item No.	Part No.	Description
1	102667	PANEL ASSY, FRONT
2	102645	PANEL ASSY, ENGINE INLET FUEL DOOR
3	101525	RIGHT INLET WELDMENT
4	102673	PANEL REAR CAB
5	102637	PANEL, EXH SIDE
6	200155	FENDER
7	102627	ROOF PANEL, ROAD SIDE
8	102626	ROOF PANEL, CURB SIDE
9	102690	VENT HOOD ASSY
10	101391	CONTROL PANEL DOOR
11	102381	ELECTRICAL PANEL
12	100890	FUEL DOOR WELDMENT
13	102434	OUTLET DUCT WELDMENT, NO DAMPER, 2 X 12"
14	101298	CHIMNEY
15	101462	CHIMNEY CAP, 6 INCH
16	800022	MOUNT, FIRE EXTINGUISHER, 5"
17	800023	EXTIGUISHER FIRE, ABC, 10 LB
18	100934	E-STOP GUARD
19	200021	BRACKET, BANNER 3 COLOR LIGHT
20	200022	COVER, BRACKET, BANNER 3 COLOR LIGHT
21	102628	HEADER ASSY, SIDE SUPPORT
22	900307	LICENSE PLATE MNT
23	900200	LAMP S/T/T LED OVAL 12V
24	900201	LAMP GROMET, OVAL
25	900223	LAMP M/C, RED P2 LED, 33 SERIES
26	800038	LIGHT, FLUSH MOUNT CUBE, 18 WATT 6 LED
27	800043	LIGHT, TOWER, 3 COLOR
28	900308	LAMP, LICENSE/INSTRUMENT TL 26 SERIES
29	900309	E-STOP, RED JUMBO MUSH NEMA 4X
30	900022-02	FAN, 16" 12V PULLER SPAL
31	900220-2	LATCH, LOCKING TEE HANDLE
32	900101	FLUSH HINGE
33	900210	TOGGLE CLAMP,
34	900157	DOOR HOLD OPEN SPRING
35	900383	SPARK ARRESTOR, 1.75" INLET
36	900384	CAP, RAIN 2"
37	900663	OUTLET COVER, 1 GANG OUTDOOR
38	900378	GFCI RECEPTACLE 20A, DUPLEX
39	900660	COVER, MOTOR BASE PLUG, 1 GANG

# ES1000 Enclosure

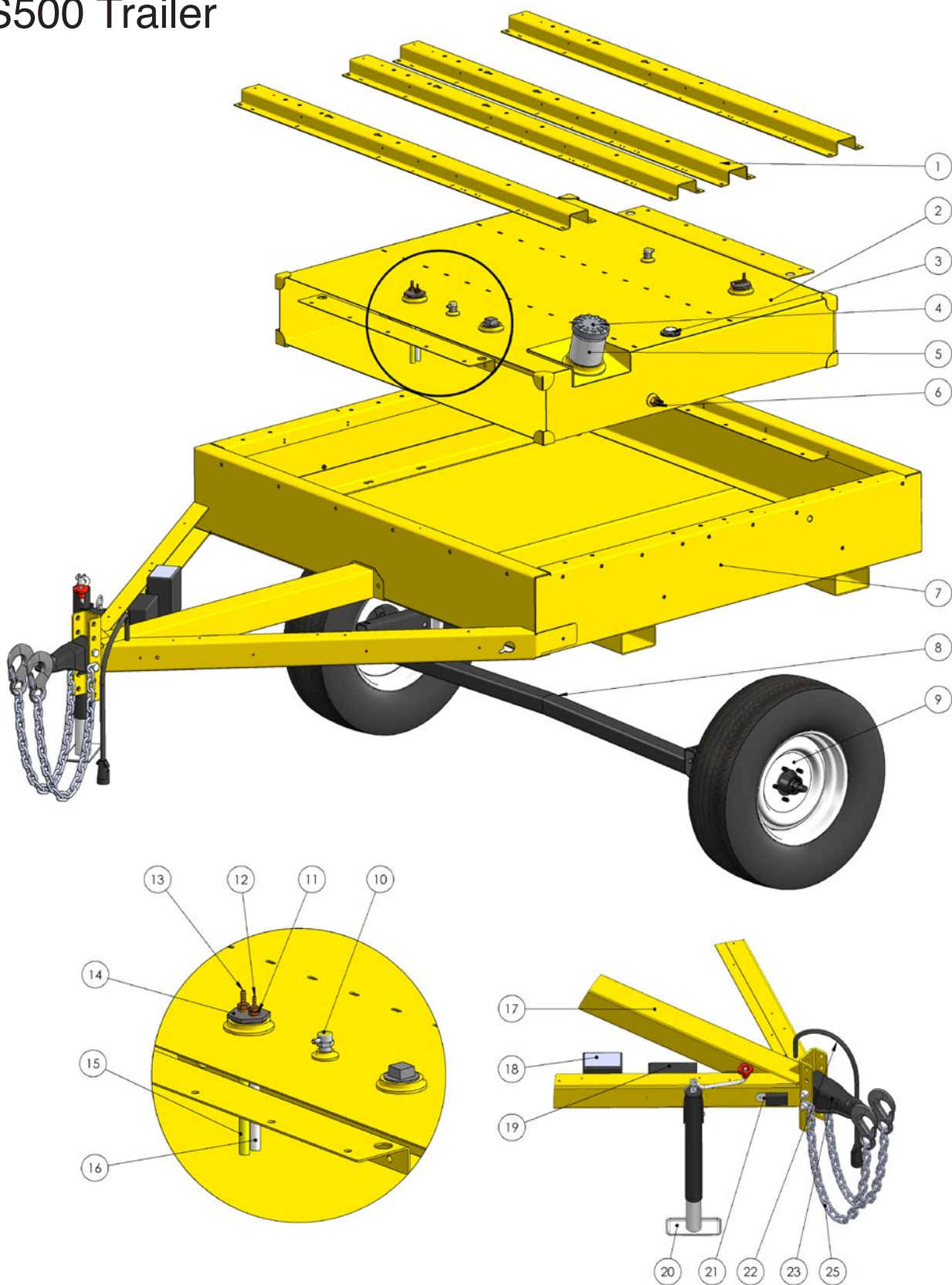




Item No.	Part No.	Description
1	101375	FRONT PANEL WELDMENT
2	101307	REAR PANEL WELDMENT
3	101376	UPPER SIDE SUPPORT
4	101537	ENGINE INLET PANEL WELDMENT
5	101271	OUTLET PANEL
6	102381	ELECTRICAL PANEL
7	101525	RIGHT INLET WELDMENT
8	101524	LEFT INLET WELDMENT
9	101391	CONTROL PANEL DOOR
10	100890	FUEL DOOR WELDMENT
11	101164	VENT HOOD ASSY
12	102434	OUTLET DUCT WELDMENT, NO DAMPER, 2 X 12"
13	101380	ROOF - CURB SIDE
14	101379	ROOF - ROAD SIDE
15	101626	LIFT COVER
16	101610	LIFT WELDMENT
17	900157	DOOR HOLD OPEN SPRING
18	900101	FLUSH HINGE
19	900220-2	LATCH, LOCKING TEE HANDLE
20	900210	TOGGLE CLAMP,
21	101298	CHIMNEY
22	101462	CHIMNEY CAP, 6 INCH
23	101448	EXHAUST PASS THRU
24	900312	FIRE EXT MNT, 7"
25	900327	EXTIGUISHER FIRE, ABC, 20 LB
26	100934	E-STOP GUARD
27	200021	BRACKET, BANNER 3 COLOR LIGHT
28	200022	COVER, BRACKET, BANNER 3 COLOR LIGHT
29	900309	E-STOP, RED JUMBO MUSH NEMA 4X
30	900200	LAMP S/T/T LED OVAL 12V
31	900201	LAMP GROMET, OVAL
32	900223	LAMP M/C, RED P2 LED, 33 SERIES
33	900224	LAMP, LED 33 SERIES ID ASSEMBLY
34	900225	LAMP M/C, YELLOW P2 LED, 33 SERIES
35	900308	LAMP, LICENSE/INSTRUMENT TL 26 SERIES
36	900307	LICENSE PLATE MNT
37	900350	RECEPTICAL, TWIST LOCK 15 A 125 VAC
38	900378	GFCI RECEPTACLE 20A, DUPLEX
39	900244	GFCI COVER, VERTICAL
40	900660	COVER, MOTOR BASE PLUG, 1 GANG
41	800038	LIGHT, FLUSH MOUNT CUBE, 18 WATT 6 LED
42	800043	LIGHT, TOWER, 3 COLOR
43	900022-02	FAN, 16" 12V PULLER SPAL
44	900383	SPARK ARRESTOR, 1.75" INLET
45	900384	CAP, RAIN 2"

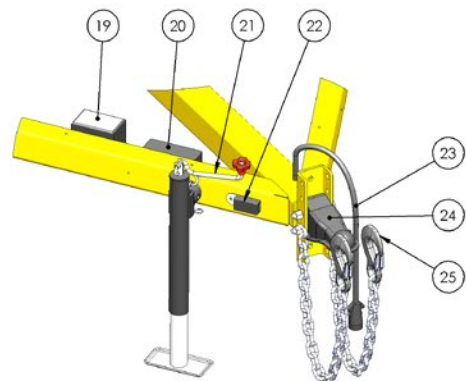
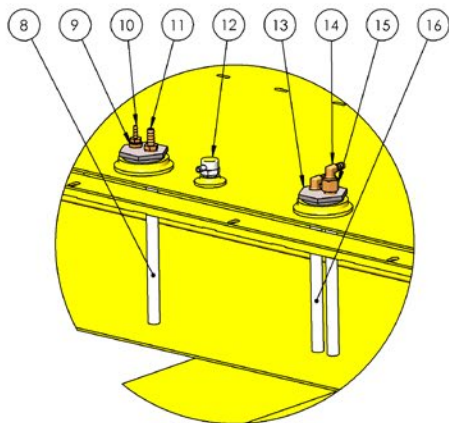
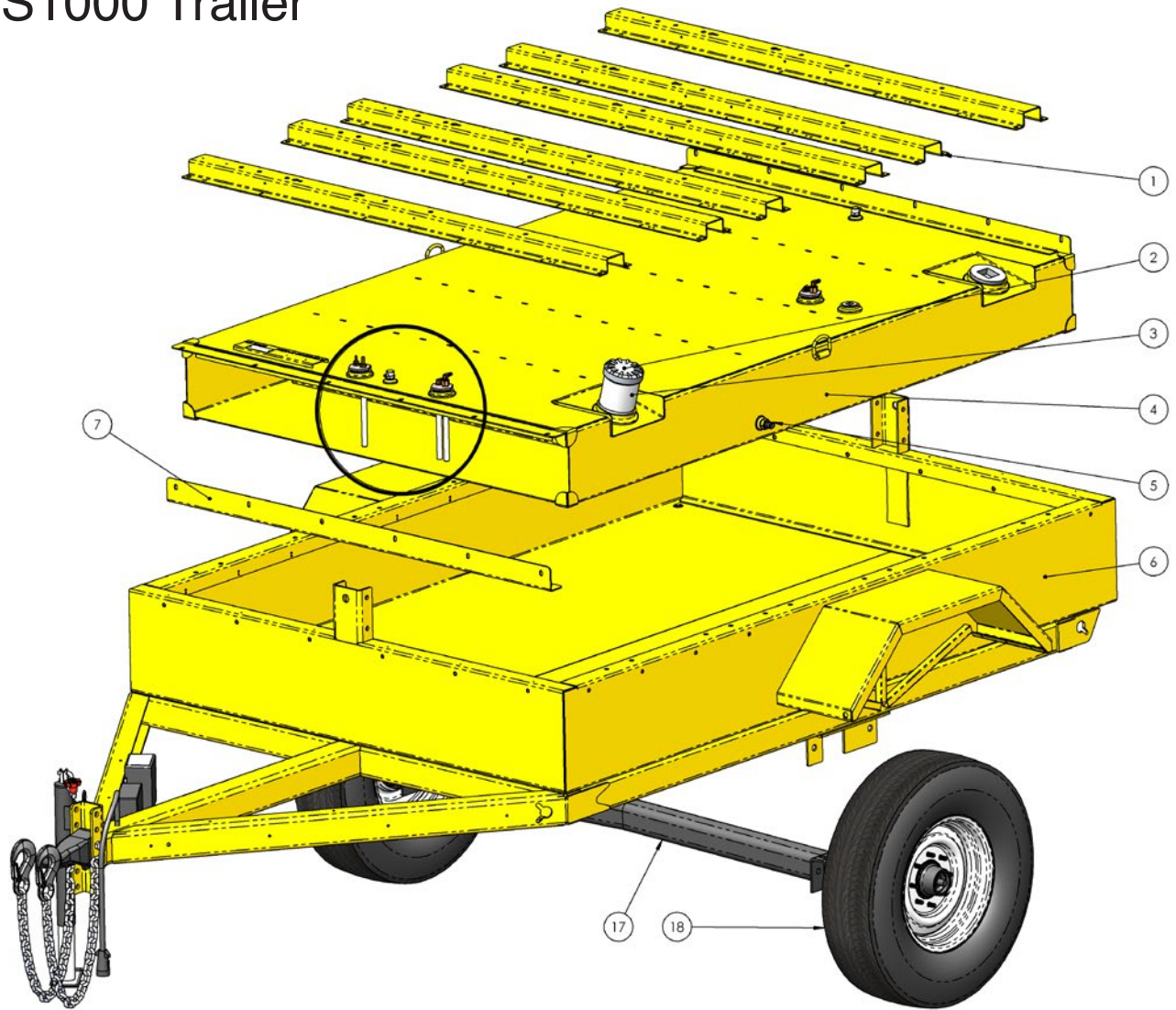
# Trailer Assembly

## ES500 Trailer



Item No.	Part No.	Description
1	101364	SUPPORT RAIL
2	102664	TANK, FUEL WELDMENT
3	800020	GAUGE, FUEL SENDER, 10" TANK DEPTH
4	900278	FUEL CAP, NON-VENTED 4"
5	900277-3248	NIPPLE, SCH 40 CARBON STEEL, 4 X 6"
6	800065	SENSOR, LIQUID LEVEL SWITCH
7	102665	CONTAINMENT TANK WLDMNT
8	900789	AXLE ASSEMBLY, 3700LB
9	900410	TIRE & WHEEL, 225/75-R15, 15 x 6
10	900382	FUEL TANK SAFETY VALVE
11	900702	FITTING, STRAIGHT, 3/8"NPT MALE x 1/4"NPT FEMALE, BRASS
12	900373-4	FITTING, STRAIGHT, 1/4" NPT x 3/16" HOSE BARB
13	900373-5	FITTING, STRAIGHT, 3/8" NPT x 5/16" HOSE BARB
14	900281-03	DUPLEX BUSHING, 4-WAY TAP, 3/8" NPT
15	101665	FUEL PICKUP TUBE, 3/8 NPT
16	101664	FUEL PICKUP TUBE, 3/8 NPT
17	102671	DRAWBAR ASSY
18	900366	BREAK AWAY BATTERY
19	900365	JUNCTION BOX
20	900270	JACK, TOP WIND, 15" TRAVEL, 2000 LB.
21	900366-02	BREAKAWAY SWITCH
22	800323	CABLE, CONNECTOR, 7 WAY, 8'
23	800097	COUPLER, HEIGHT ADJUSTABLE, 14000LB
24	800021	PLUG, BRASS HEX 3/8" NPT
25	900284	SAFETY CHAIN, 3/8"X35", 10,000 lb

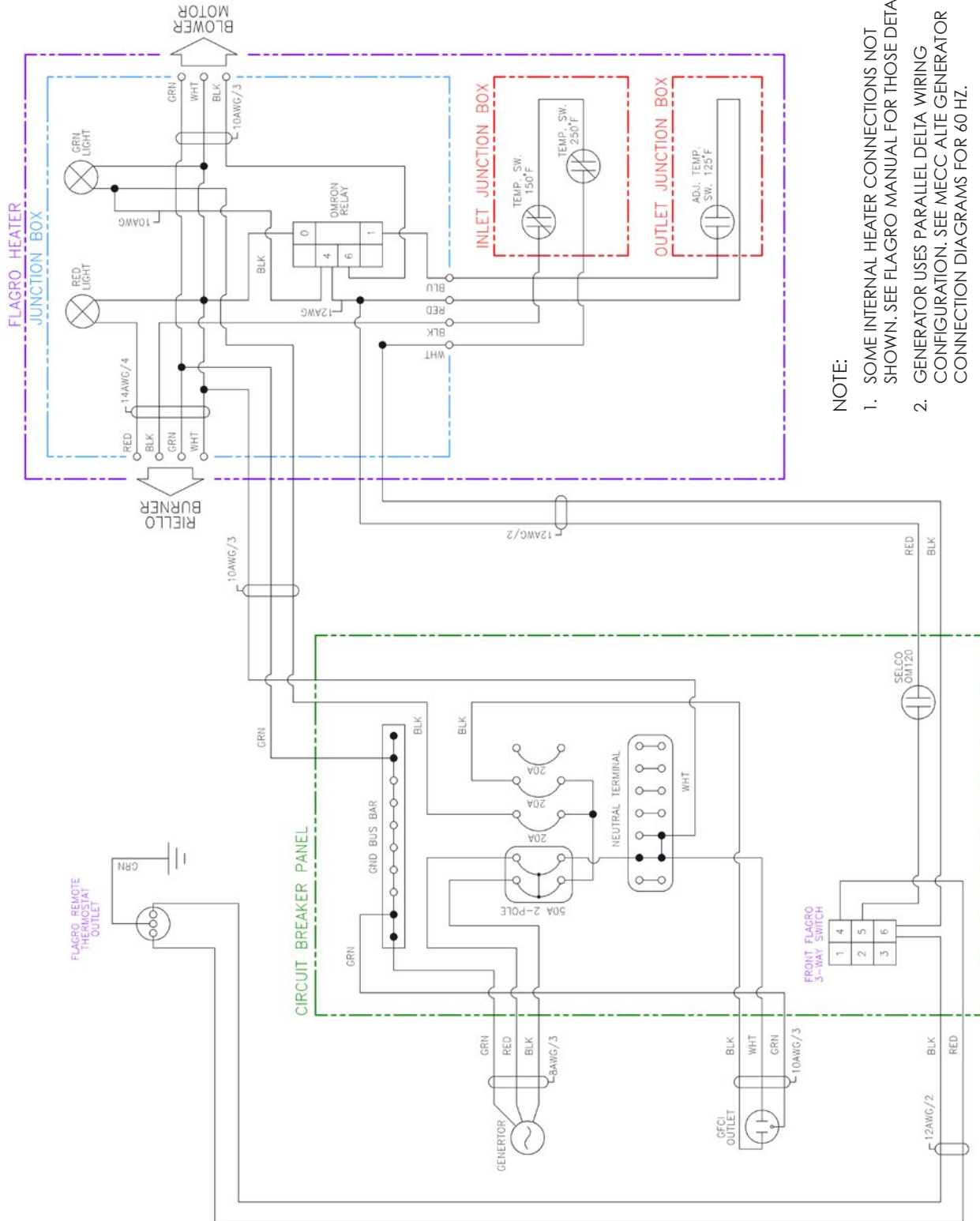
# ES1000 Trailer



Item No.	Part No.	Description
1	101364	SUPPORT RAIL
2	900278	FUEL CAP, NON-VENTED 4"
3	900277-3248	NIPPLE, SCH 40 CARBON STEEL, 4 X 6"
4	101601	FUEL TANK, 240 GALLON
5	800065	SENSOR, LIQUID LEVEL SWITCH
6	101378	TRAILER FRAME
7	102010	FUEL TANK ADAPTER
8	101665	FUEL PICKUP TUBE, 3/8 NPT
9	900702	FITTING, STRAIGHT, 3/8" NPT MALE x 1/4" NPT FEMALE, BRASS
10	900373-4	FITTING, STRAIGHT, 1/4" NPT x 3/16" HOSE BARB
11	900373-1	FITTING, STRAIGHT, 3/8" NPT x 3/8" HOSE BARB
12	900382	FUEL TANK SAFETY VALVE
13	900281-03	DUPLEX BUSHING, 4-WAY TAP, 3/8" NPT
14	900344-2	HOSE BARB, 90 DEG 3/8 X 3/8 NPT
15	900375	BRASS ADAPTER, 3/8" F-NPT x 3/8" M-NPT
16	101664	FUEL PICKUP TUBE, 3/8 NPT
17	900192-00	AXLE ASSEMBLY, 7000LB
18	900226	TIRE & WHEEL, 215/75R 17.5
19	900366	BREAK AWAY BATTERY
20	900365	JUNCTION BOX
21	900270	JACK, TOP WIND, 15" TRAVEL, 2000 LB.
22	900366-02	BREAKAWAY SWITCH
23	800323	CABLE, CONNECTOR, 7 WAY, 8'
24	800097	COUPLER, HEIGHT ADJUSTABLE, 14000LB
25	900284	SAFETY CHAIN, 3/8"X35", 10,000 lb

# Electrical Schematics

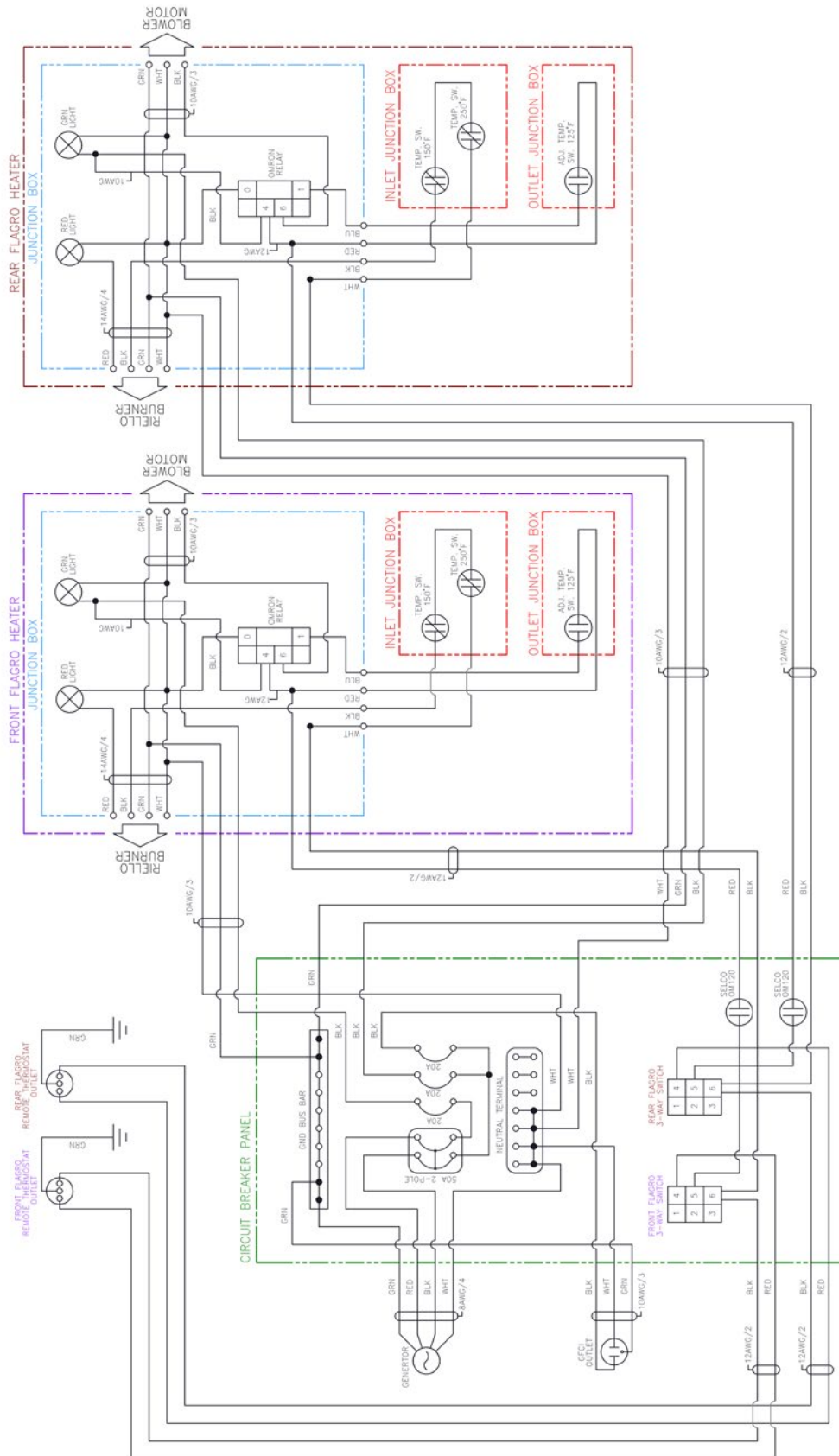
## ES500 Heater Wiring



**NOTE:**

1. SOME INTERNAL HEATER CONNECTIONS NOT SHOWN. SEE FLAGRO MANUAL FOR THOSE DETAILS.
2. GENERATOR USES PARALLEL DELTA WIRING CONFIGURATION. SEE MECC ALTE GENERATOR CONNECTION DIAGRAMS FOR 60 HZ.

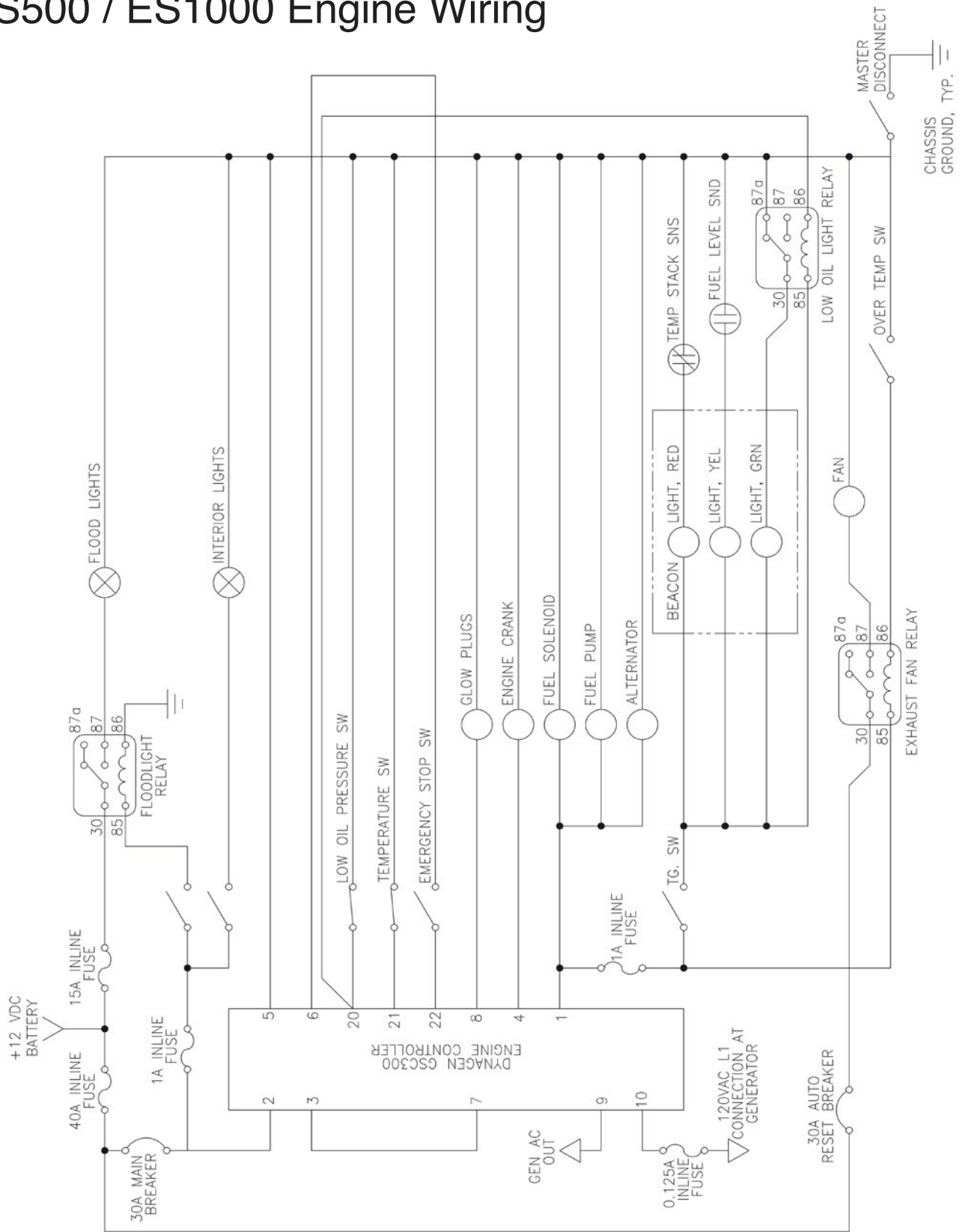
# ES1000 Heater Wiring



- NOTE:**
1. SOME INTERNAL HEATER CONNECTIONS NOT SHOWN. SEE FLAGRO MANUAL FOR THOSE DETAILS.
  2. GENERATOR USES PARALLEL DELTA WIRING CONFIGURATION. SEE MECC ALTE GENERATOR CONNECTION DIAGRAMS FOR 60 HZ.

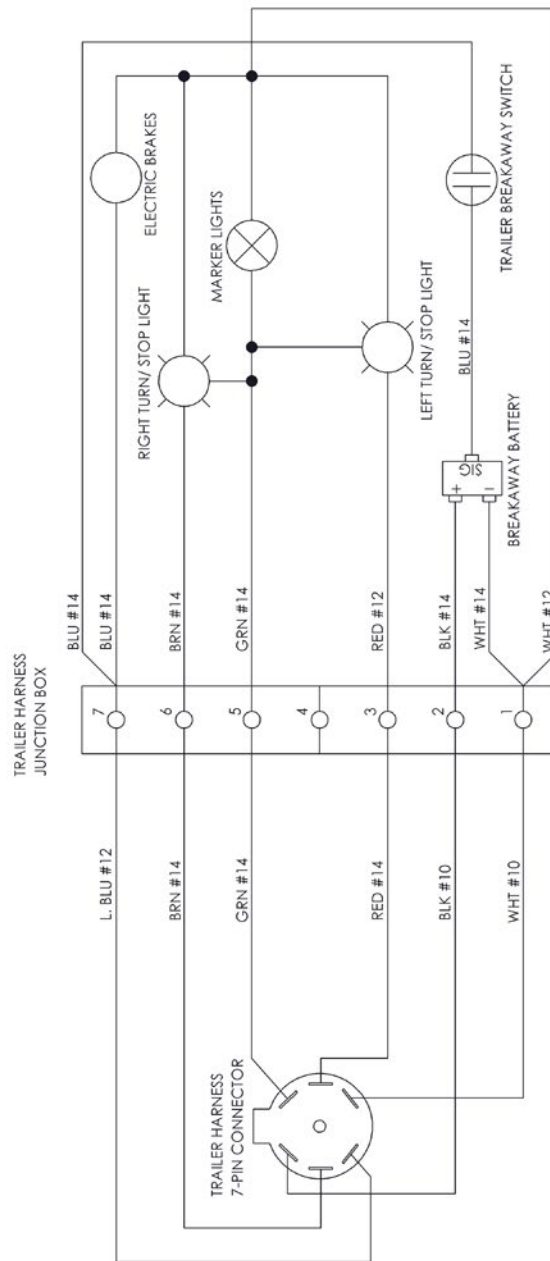
# Electrical Schematics

## ES500 / ES1000 Engine Wiring





# ES500 / ES1000 Trailer Harness



## ESI Parts Department

Renton  
1010 SW 41st Street  
Renton, WA 98057  
(425) 251-6119

Fairbanks  
1919 Van Horn Road  
Fairbanks, AK 99701  
(907) 458-9094

Anchorage  
7780 Old Seward Hwy  
Anchorage, AK 99518  
(907) 341-2250

[www.EquipmentSourceInc.com](http://www.EquipmentSourceInc.com)