



FEATURES



Liquid-Cooled
Isuzu Diesel
Engine

8kw, 13kw or 55kW
of Prime Power or
Backup Output

Ask about Long Run
Oil System 3,000 Hour
Oil Change Intervals!

Local Parts
Support

EPA Tier
4 Compliant

Open Skid, Arctic Re-Air
& Customer Enclosure
Configurations



Remote Telecommunication Site in Western
Alaska. Equipped with Dual Generators with
Long Run Oil Tank.

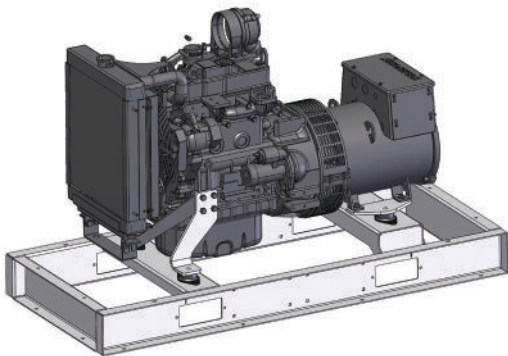


STANDARD KPG FEATURES:

- In-Stock for Immediate Delivery
- Isuzu Diesel Engine
- Stamford Generator
- Steel Skid Base with Isolators & Fork Pockets
- Unit Mounted Radiator and Muffler
- Industrial Air Filter
- Winterized
 - 120V Block Heater
 - 120V Oil Pan Heater
 - Arctic Coolant
- Deep Sea DSE402 Engine controller w/ (Manual Start/Stop)
- Load Tested
- Single Phase or 3 Phase, up to 480V

ENCLOSURE OPTIONS

- Climate Controlled Arctic Re-Air Enclosures for Reliable Year-Round Operation in Extreme Cold
- Trailer Mounted Enclosures Available
- Walk-in Enclosure Modules



CONTROLLER OPTIONS

- Auto-Start Controllers
 - Deep Sea Controllers
 - Dyna Gen Controllers
 - Automatic Transfer Switches (ATS)
- Other controller options available upon request*



OTHER OPTIONS

- Fuel Tanks and Fuel Filtration
- Optima Red Top Battery
- 110%+ Fluid Containment
- Automated Winterization Packages for Efficient & Reliable Cold Weather Starting
- Custom Options and Design-Build Products Available upon Request

LONG-RUN OIL TANK (LRT)

- 3,000 Hour + Oil Change Interval
- Dual Remote Oil Filters
- Decrease Maintenance Costs & Reduced Waste Stream

		Model:	IPG-08-3CH-SRL2	IPG-13-3CE-SRL2	IPG-55-4JJ-SRE1
ENGINE	Manufacturer	Isuzu			
	Model	3CH1NGZG1	3CE1UGZG1	4JJ1XAGV01	
	Engine Warranty	2-Year / 2,000 Hour	2-Year / 2,000 Hour	5-Year / 5,000 Hour	
	Rate Speed, 60Hz	1800 RPM	1800 RPM	1800 RPM	
	Cylinders	Three	Three	Four	
	Displacement	1.266 L	1.642 L	3.0 L	
	Combustion Air	29.7 cfm	29.7 cfm	29.7 cfm	
OUTPUT	Output, Cont	8.4 KW	12.4 KW	56.1 KW	
	Output, Standby	9.7 KW	13.7 KW	61.8 KW	
	Available Voltage (rewire)	1 Phase: 120v/240v Phase 3: 120v/208v or 277v/480v			
FUEL SYSTEM	Fuel Type	#2 Diesel or #1 ULSD			
	Priming Pump	12 VDC Electric			
	Max Fuel Lift	3.3 feet (1 meter)			
	Suction Fitting	5/16" Push-On			
	Return Fitting	3/16" Push-On			
	Full Load	0.75 gph	1.06 gph	4.80 gph	
	Half Load	0.41 gph	0.57 gph	2.58 gph	
	GENERATOR	Manufacturer	Stamford		
Model		SOL2-F1			
Construction		Four Pole, Brushless, Open Drip-Proof (IP23), Single Bearing			
Excitation		Full Wave Bridge Rectifier			
Cooling Airflow		267 cfm	267 cfm	1,377 cfm	
Leads		12			
Output (cont)		240V 1	35.2 amp	51.8 amp	233.8 amp
		208V 3	29.3 amp	43.2 amp	194.9 amp
		480V 3	12.7 amp	18.7 amp	84.5 amp
Power Factor		Single Phase (1 Ø) Rating @ 1.0PF Three Phase (3 Ø) Rating @ 0.8PF			
Rated Frequency		60Hz			
Voltage Regulator	DSR Digital +/- 1% NL -> FL				

	Model:	IPG-08-3CH-SRL2	IPG-13-3CE-SRL2	IPG-55-4JJ-SRE1
COOLING SYSTEM	Air Pressure	12.9 psi max		
	Fan Type	Blower, Nylon		
	Cooling Air	1126 cfm	1126 cfm	1502 cfm
	Water Pump	Gear Case Mounted		
EXHAUST SYSTEM	Muffler Type	Industrial Grade (Critical Grade Silencer Option Available)		
	Restriction	3.45 in Hg max		
	Mounting	Vertical		
	Outlet Size	1.75"		
	Aftertreatment	N/A	N/A	DOC & SCR (DEF Injection)
	DEF Tank Size	N/A	N/A	2.5 gal
LUBE OIL SYSTEM	Capacity	1.3 gal	1.3 gal	3.2 gal
	Interval	500 hours		
	Capacity (LRT)	12 gal (19 gallon tank size)	12 gal (19 gallon tank size)	21 gal (26 gallon tank size)
	Interval (LRT)	3,000 hours		
DC ELECTRICAL SYSTEM	Starter	12V, 1.1kW	12V, 1.1kW	12V, 2.5kW
	Alternator	12V, 40 amp	12V, 40 amp	12V, 110 amp
	Battery	12V 650 CCA equiv, min		
	Run Solenoid	12V Energized-to-run		
STANDARD OIL PAN	Skid (footpring)	58" L x 25" W	58" L x 25" W	75" L x 45" W
	Skid (height)	40.2" T	40.2" T	TBD
	Skid (wet)	941 lbs	941 lbs	TBD
	Shipping (approx)	64"L x 30"W x 47"T	64"L x 30"W x 47"T	TBD
	Shipping (wet)	965 lbs	965 lbs	TBD
LONG RUN OIL TANK (LRT)	Skid (footpring)	59"L x 32"W x 45"T	59"L x 32"W x 45"T	TBD
	Skid (wet)	1320 lbs	1320 lbs	TBD
	Shipping (approx)	64"L x 37"W x 50"T	64"L x 37"W x 50"T	TBD
	Shipping (wet)	1340 lbs	1340 lbs	TBD

